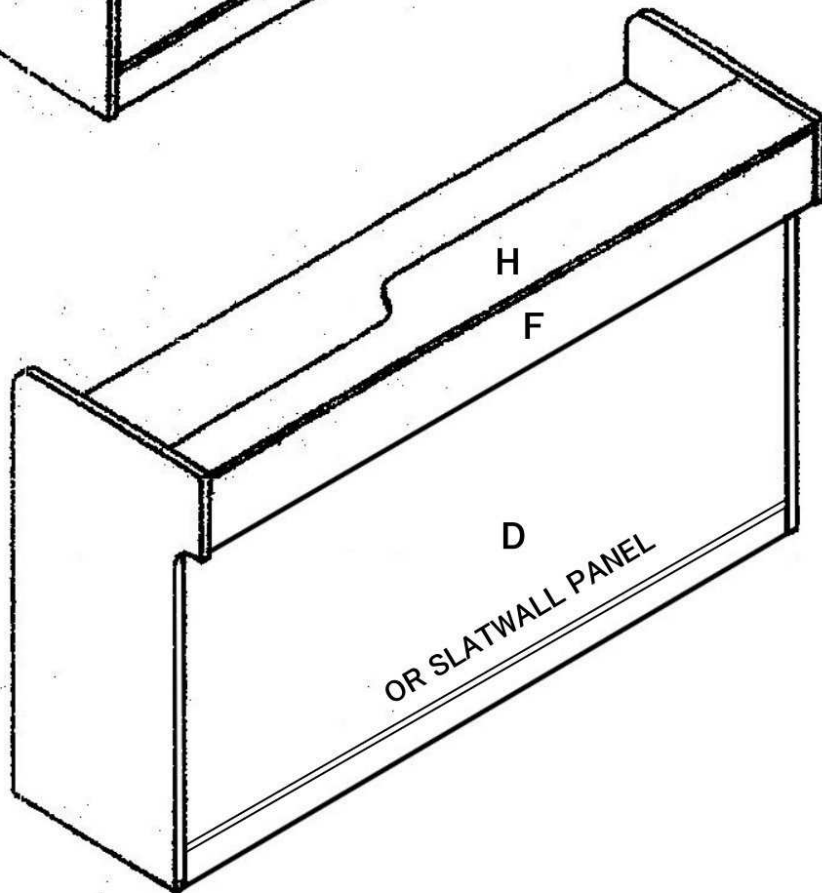
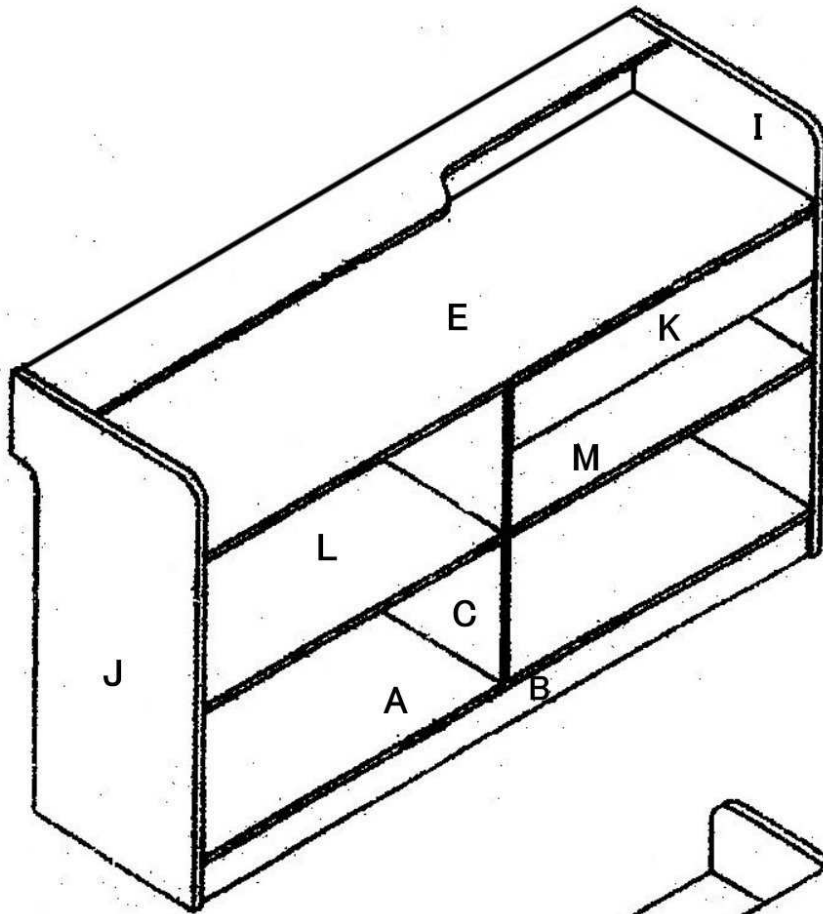
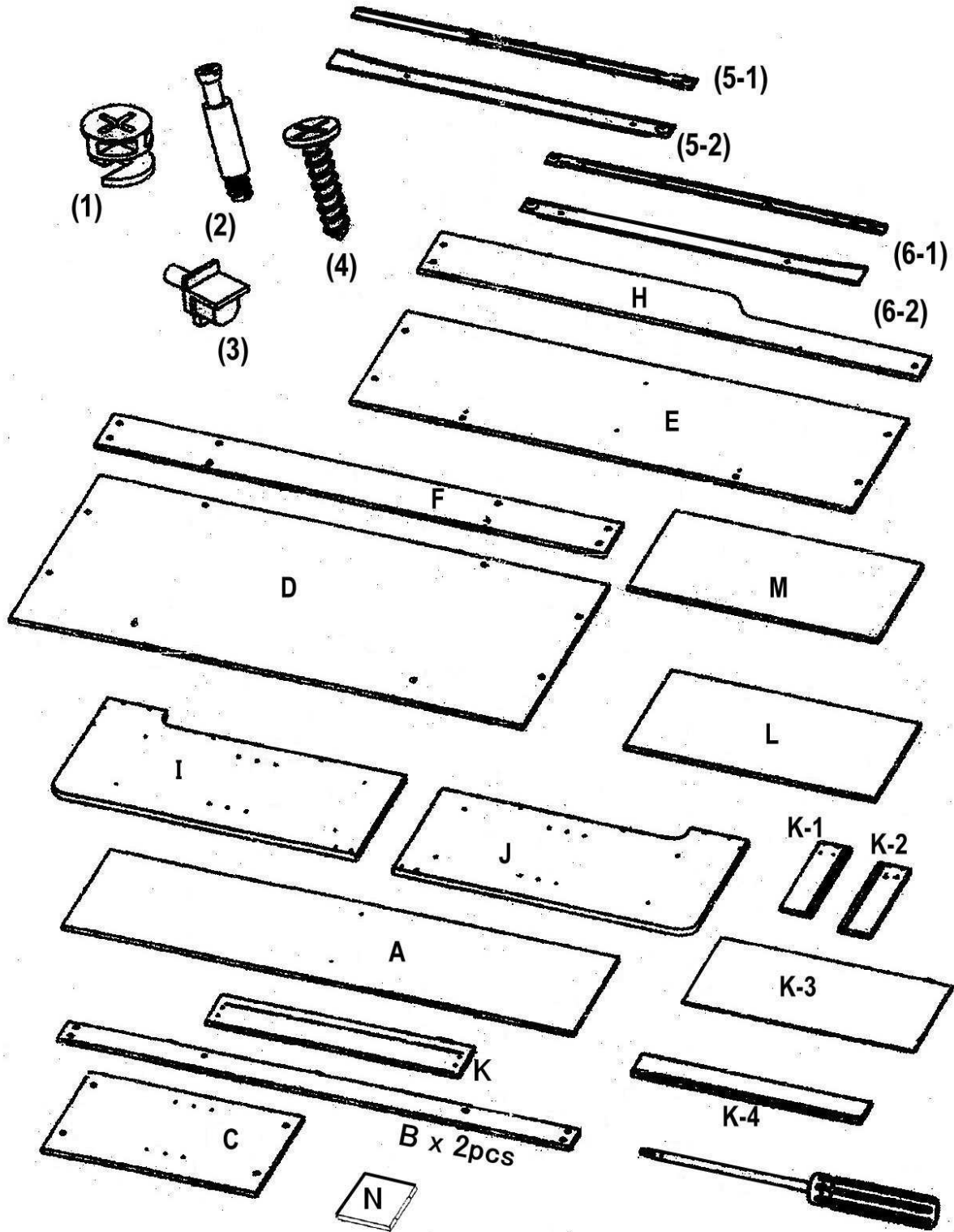


NOTE: It is recommended that two persons assemble this unit.

ASSEMBLY INSTRUCTIONS

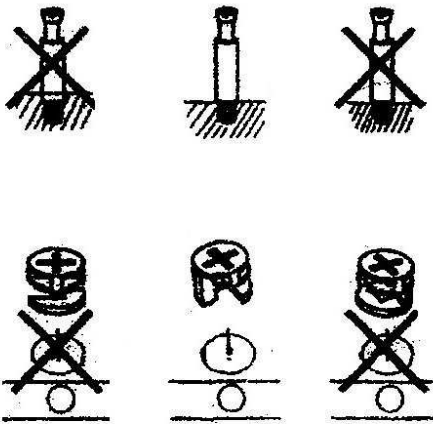
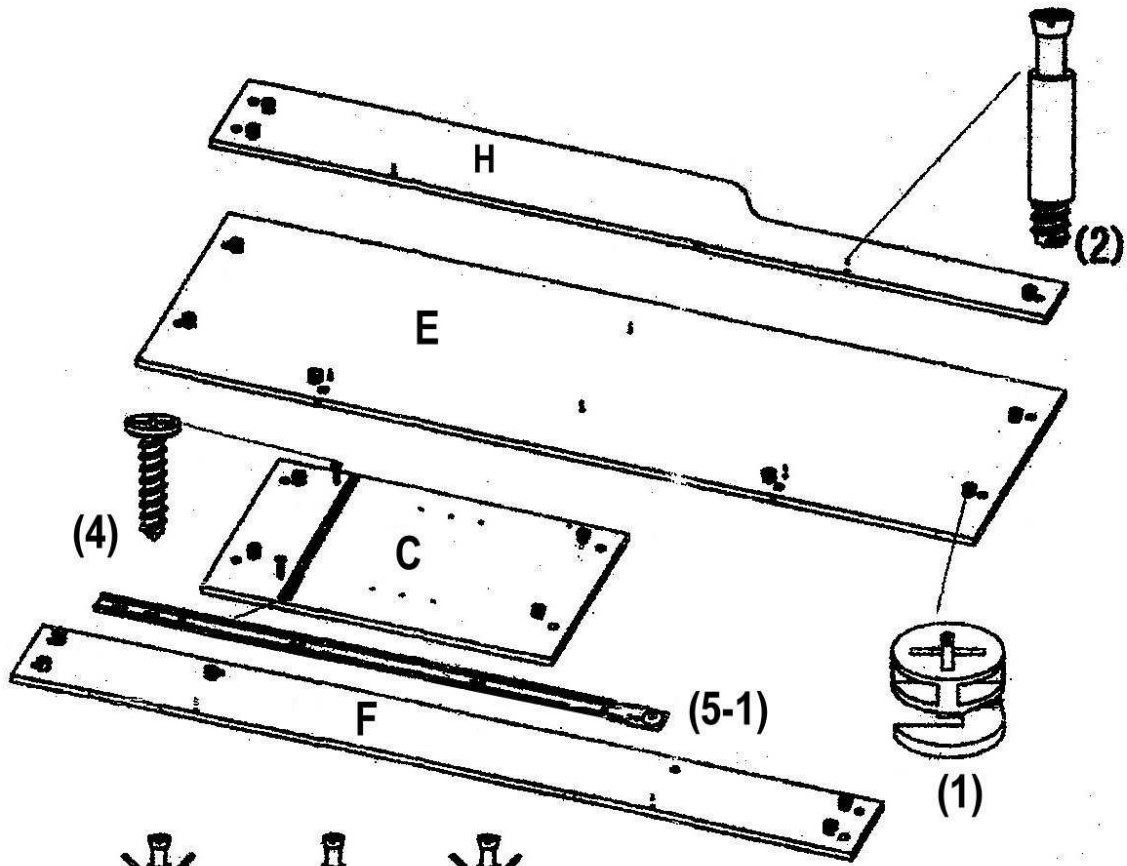


PARTS LIST



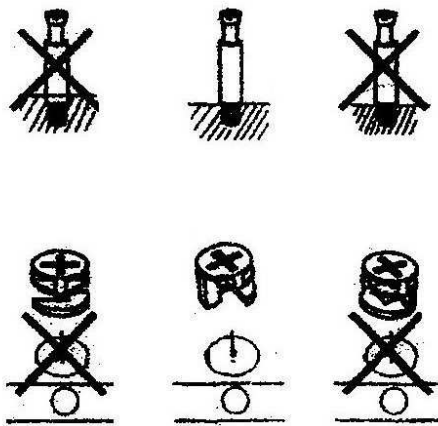
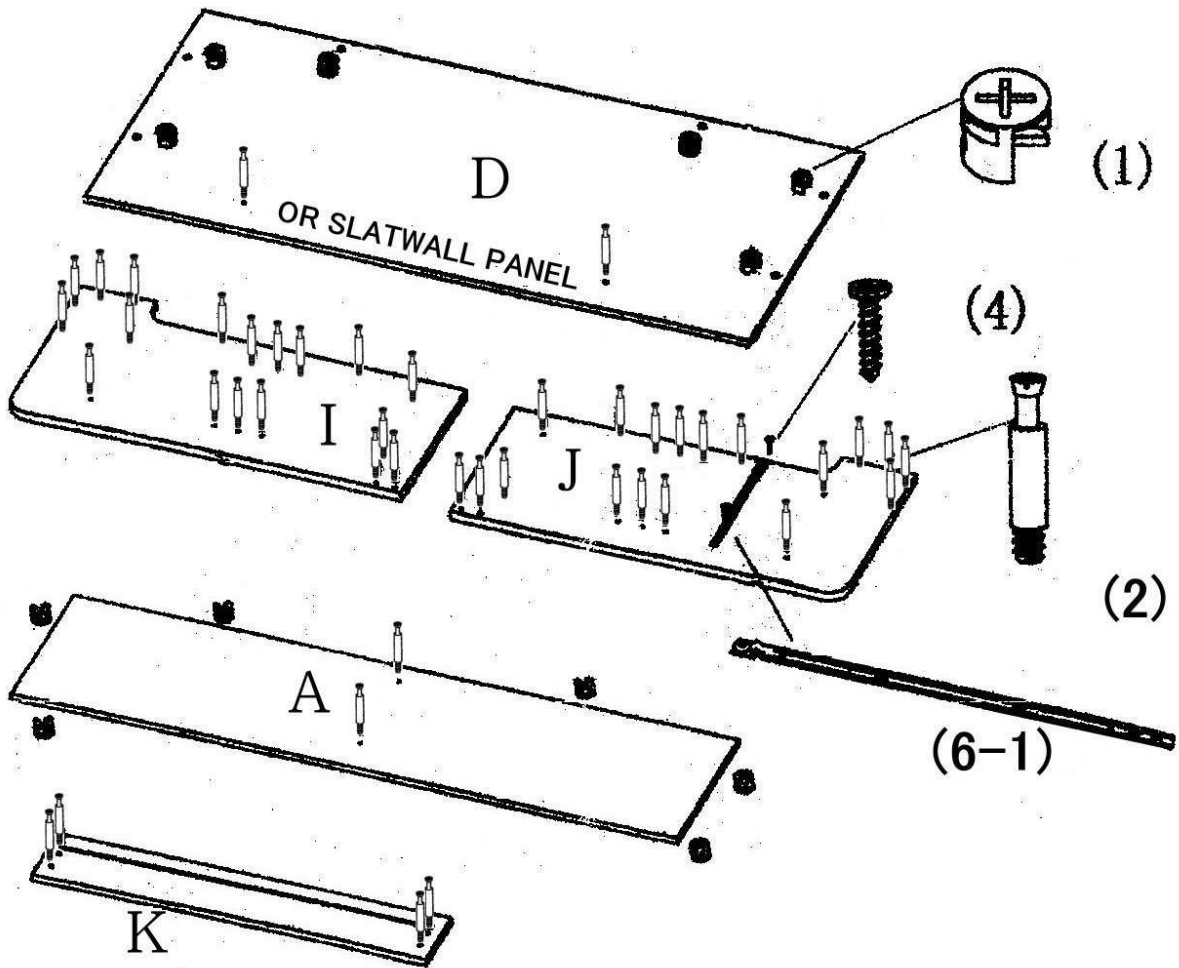
Hand Tighten Only!
Do Not Overtighten!

1

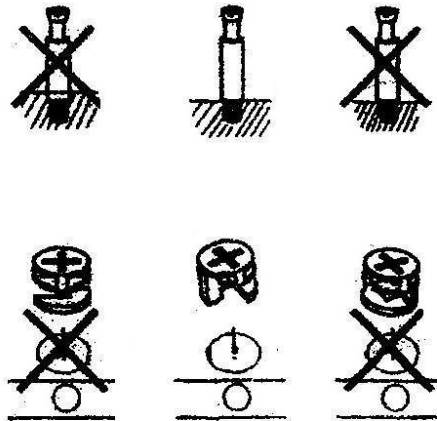
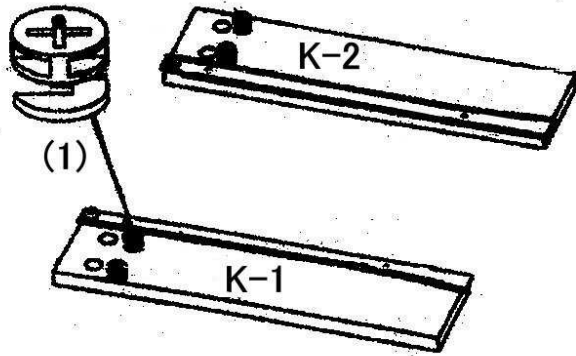
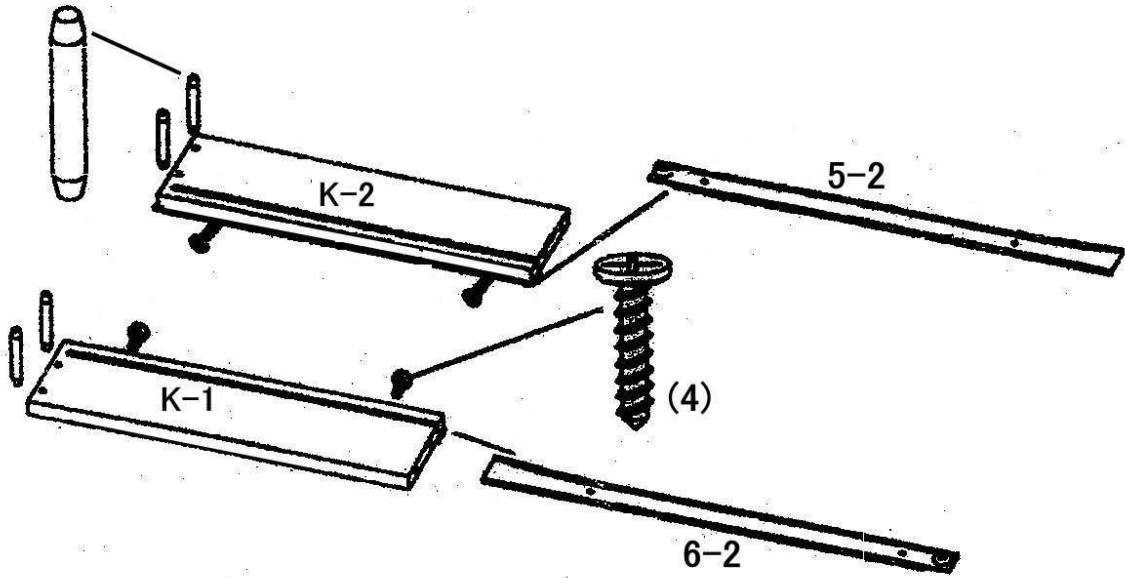


Do not overtighten!

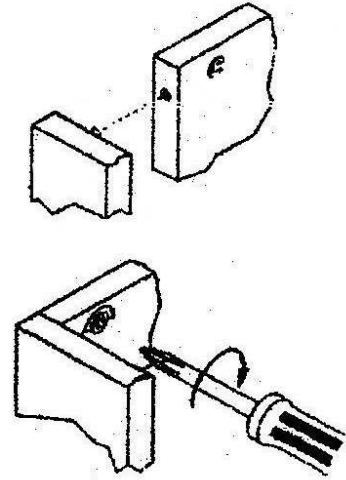
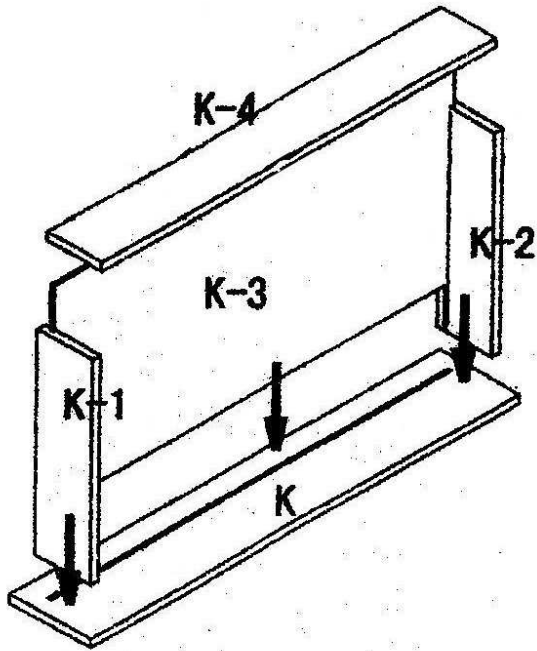
2



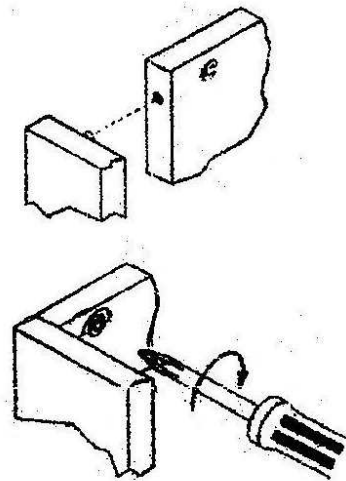
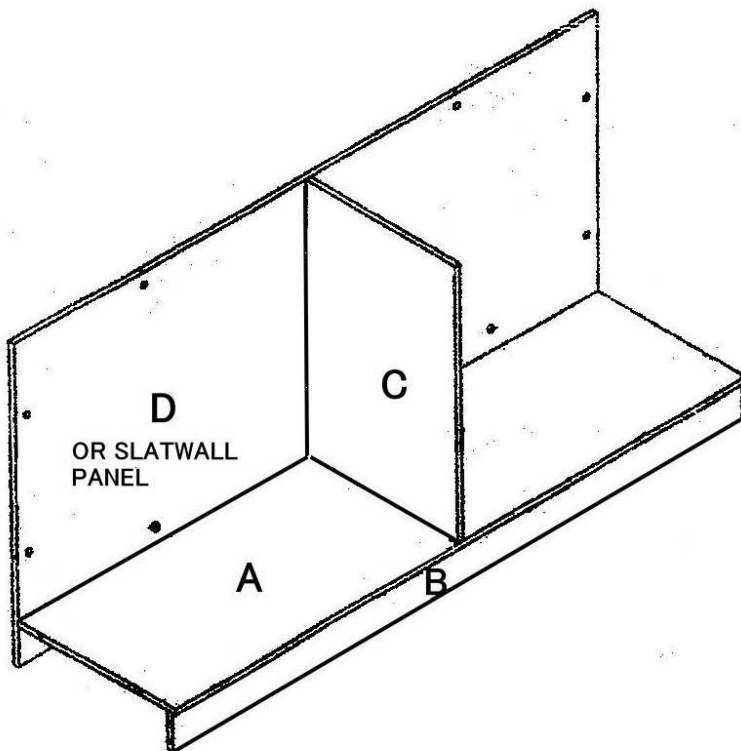
3



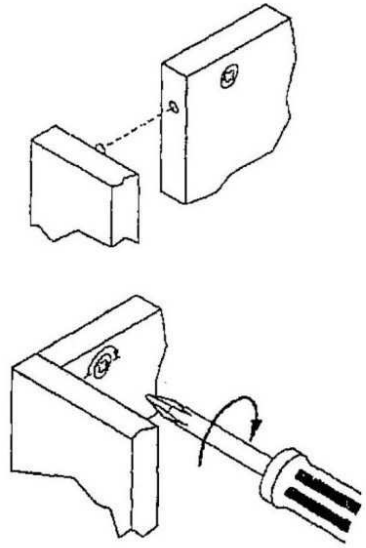
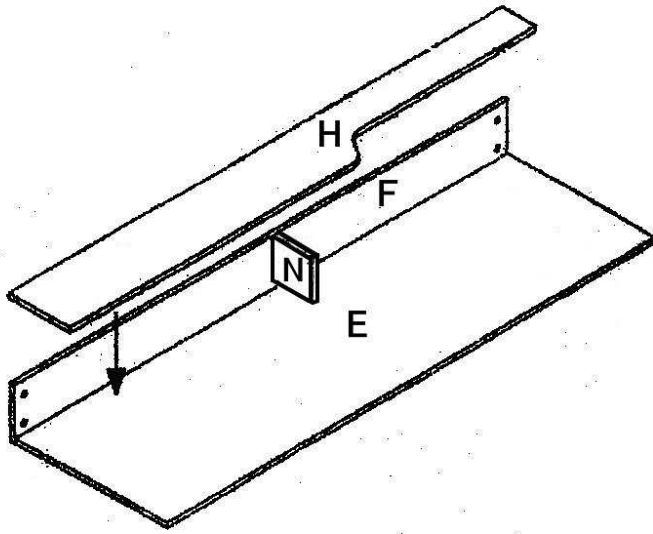
4



5

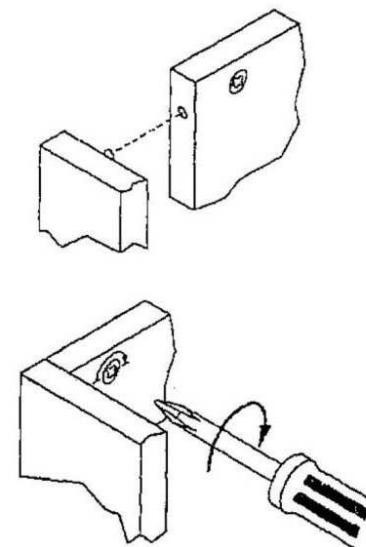
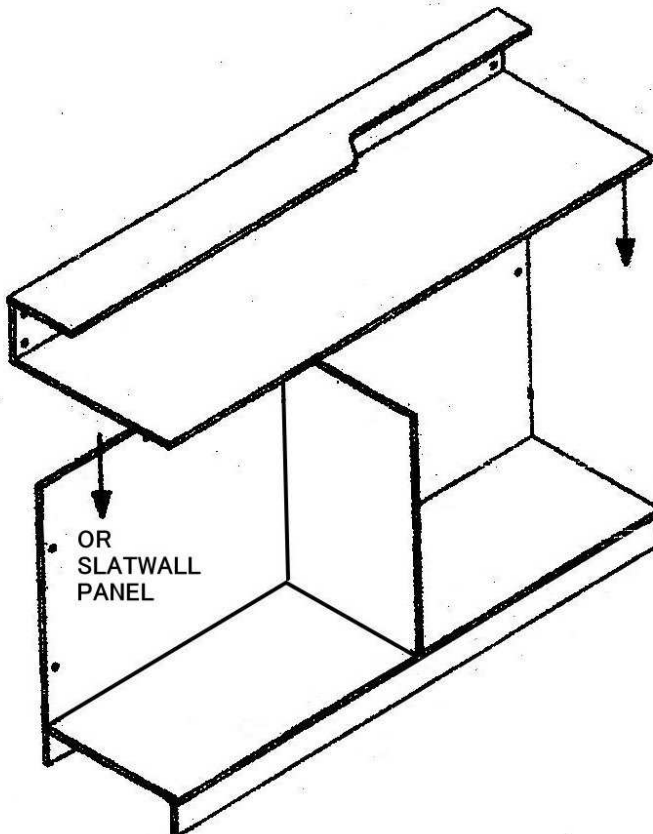


6



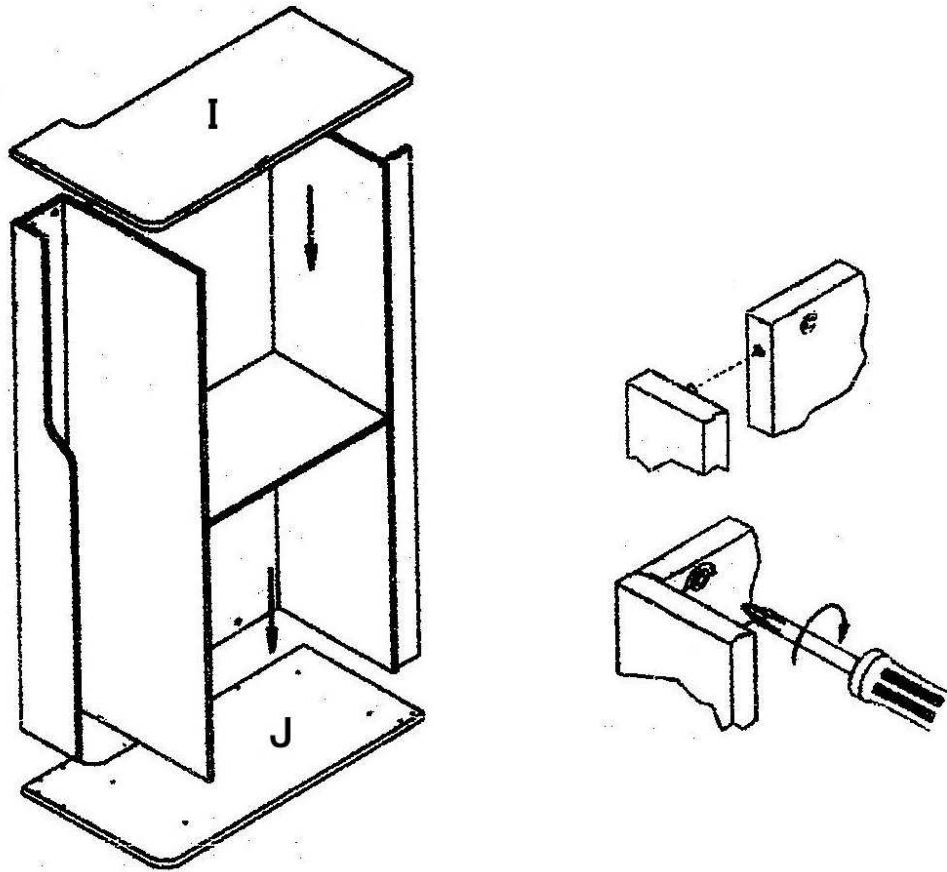
Fasten panels together and make sure all cams are locked.

7



Fasten panels together and make sure all cams are locked.

8



9

