

ASSEMBLY INSTRUCTIONS

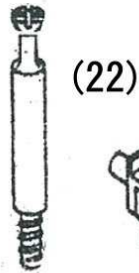
PARTS LIST



(22)



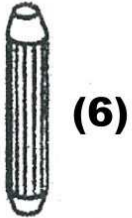
(8)



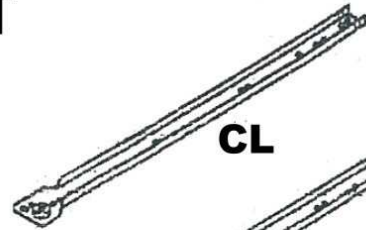
(22)



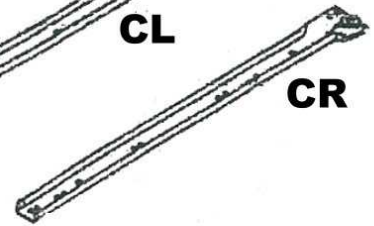
(4)



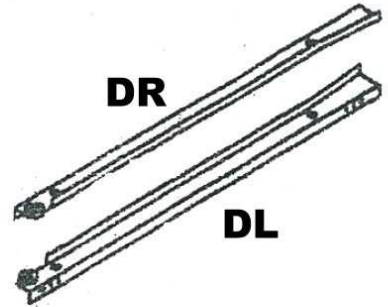
(6)



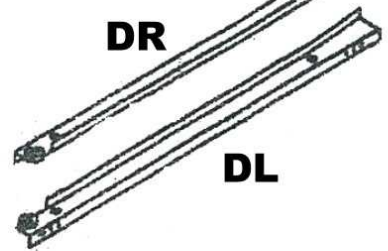
CL



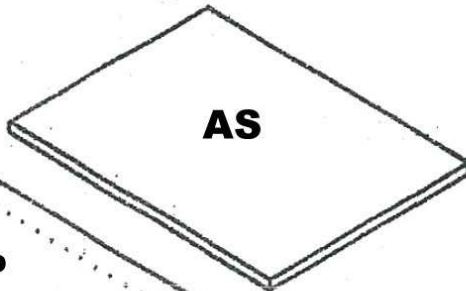
CR



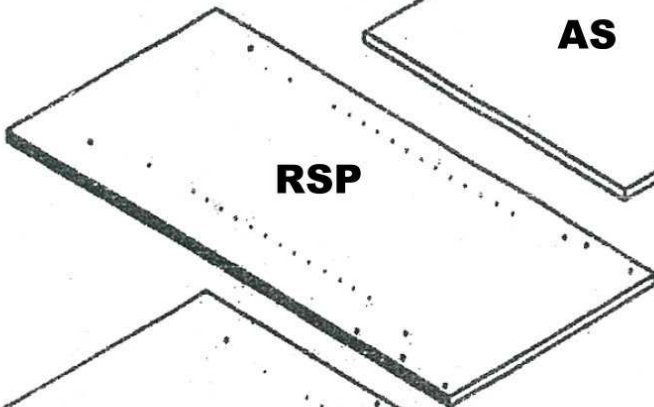
DR



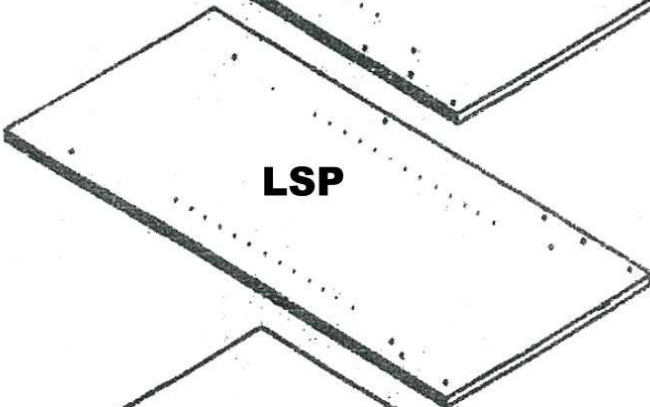
DL



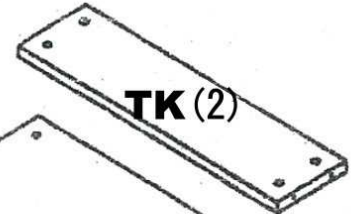
AS



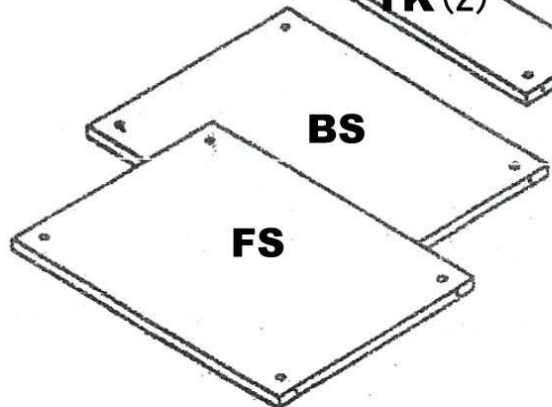
RSP



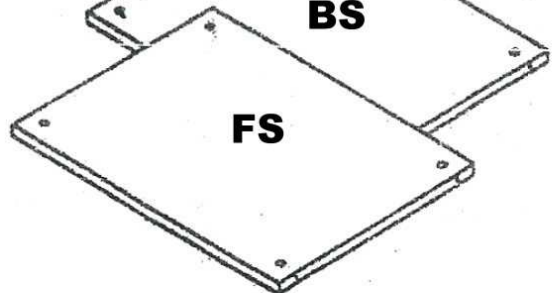
LSP



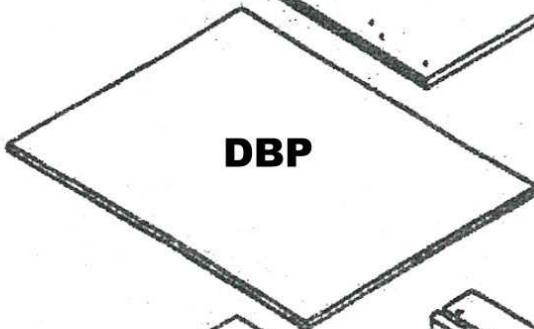
TK (2)



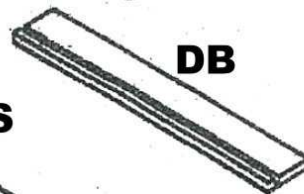
BS



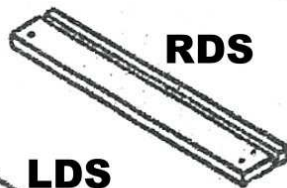
FS



DBP



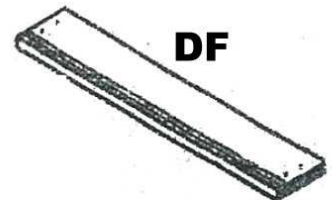
DB



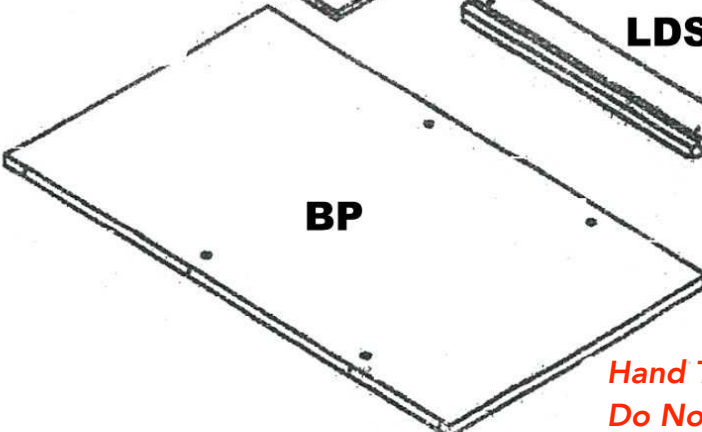
RDS



LDS



DF



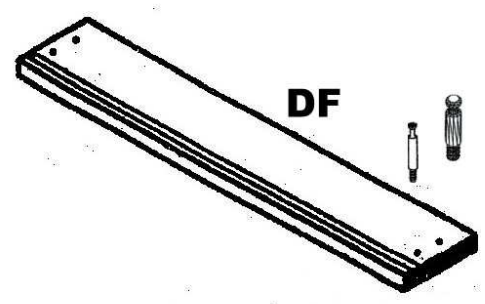
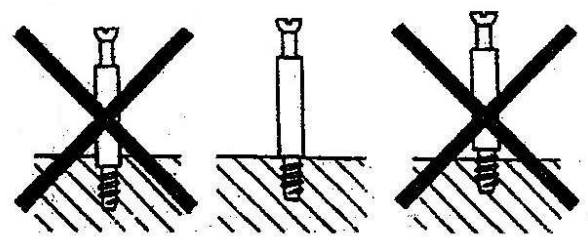
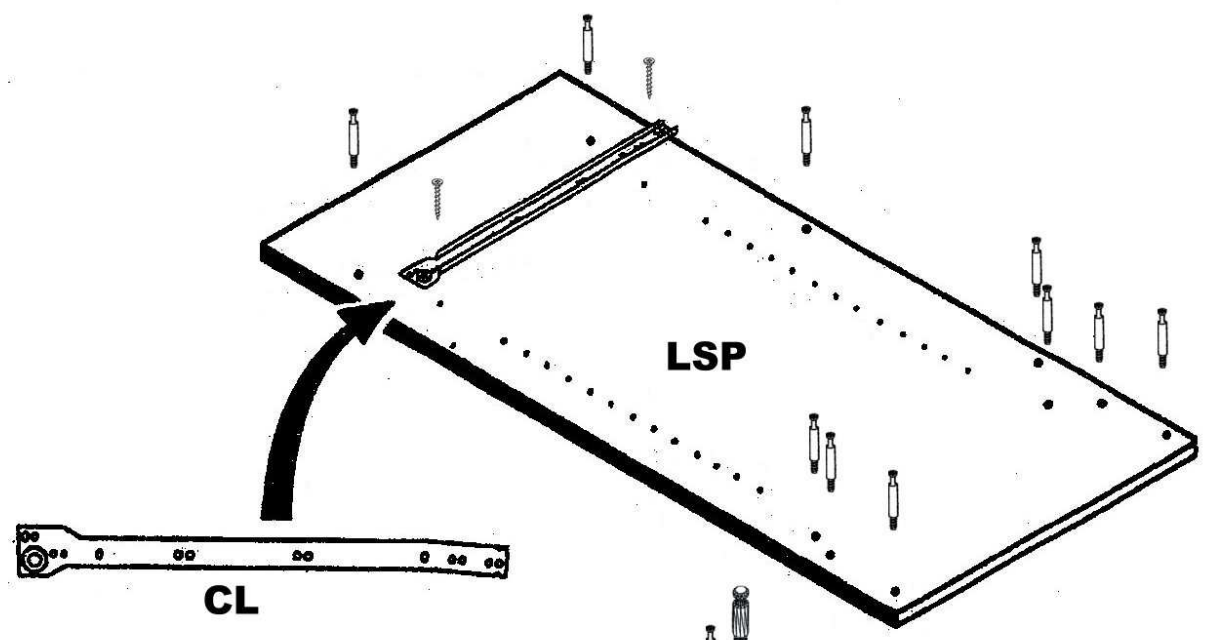
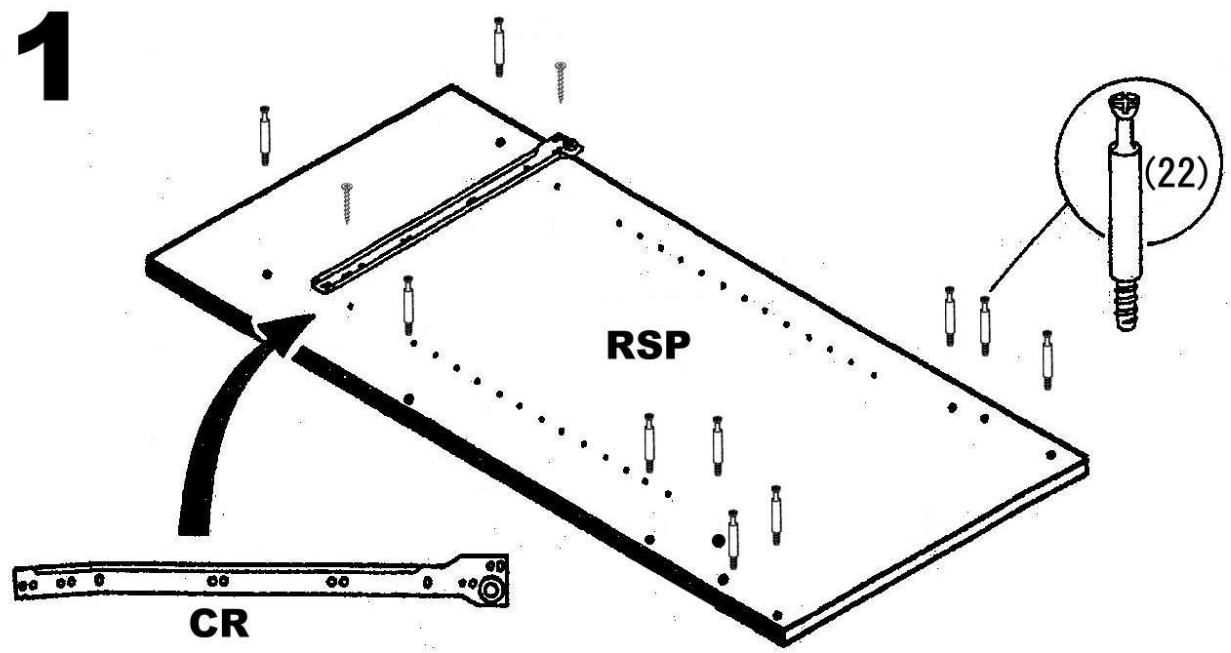
BP

TOOLS REQUIRED



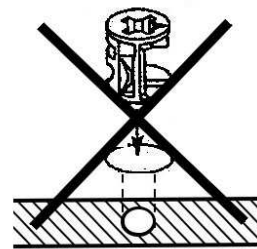
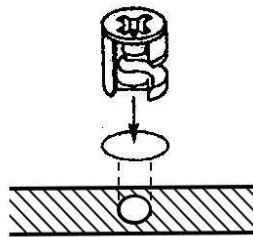
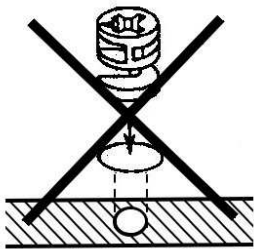
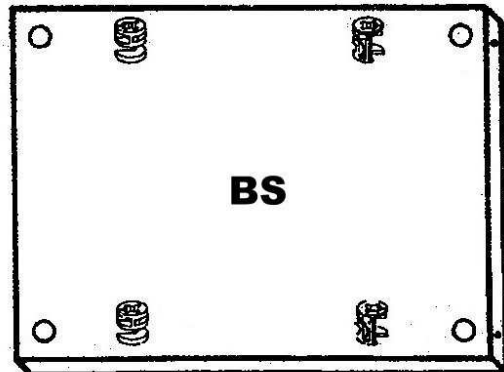
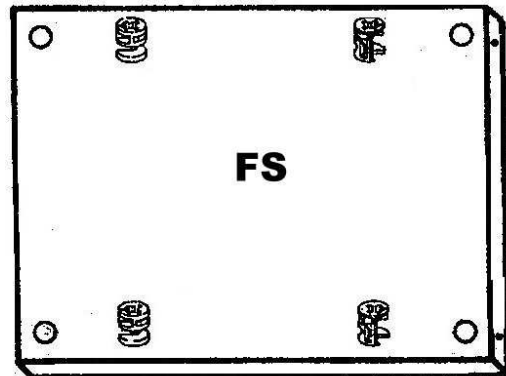
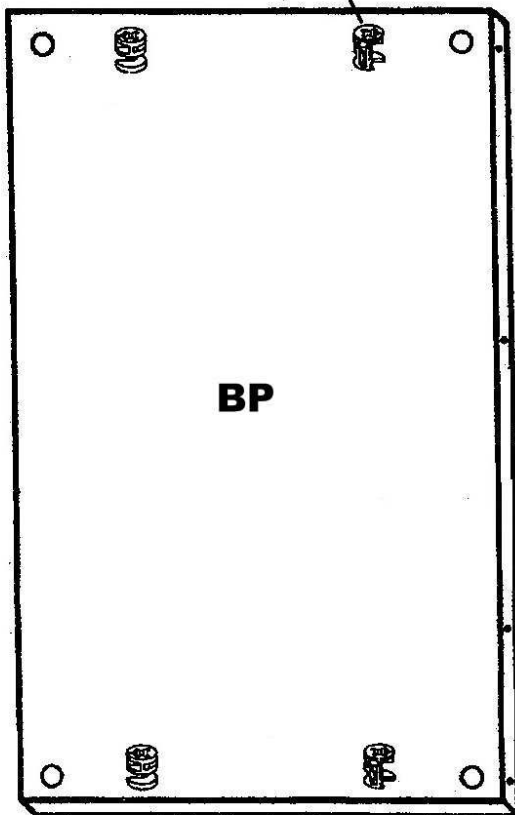
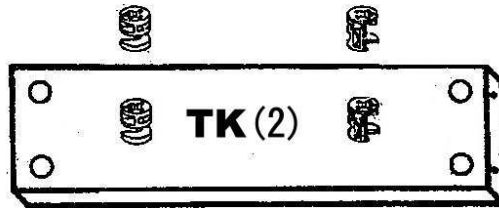
*Hand Tighten Only!
Do Not Overtighten!*

1

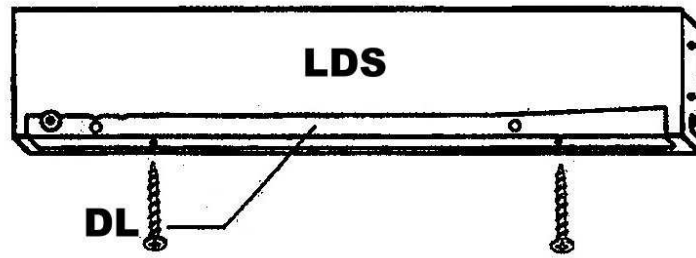


**Hand Tighten Only!
Do Not Overtighten!**

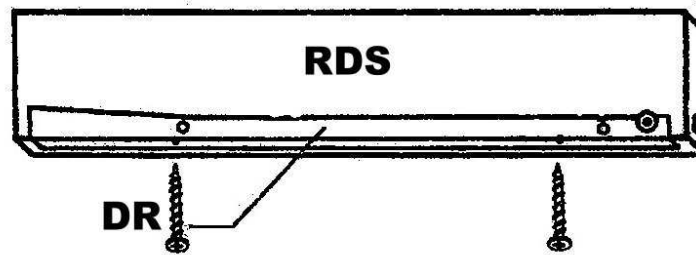
2



3

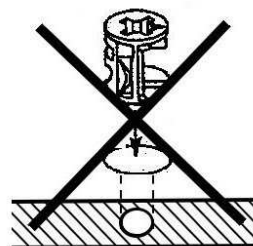
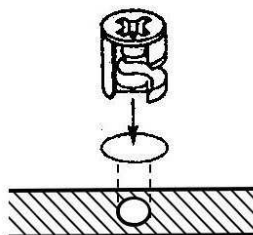
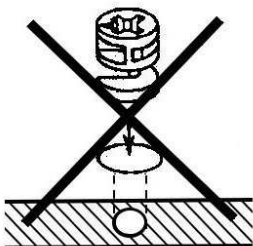
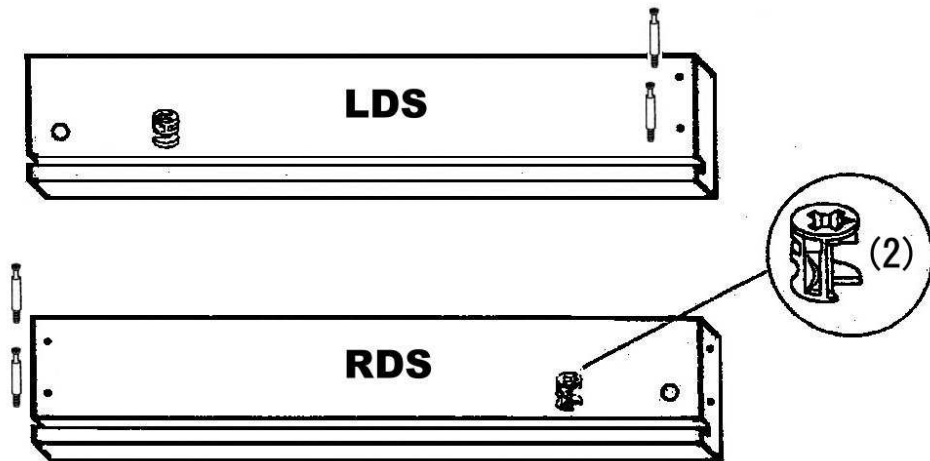


OUTSIDE SHOWN

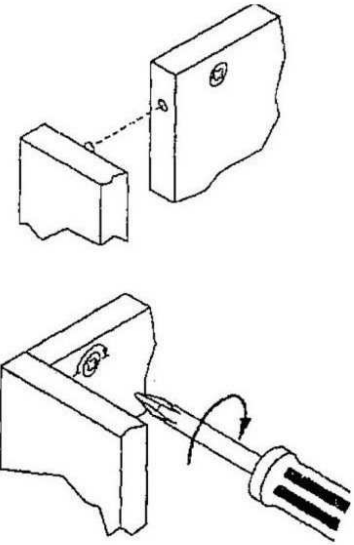
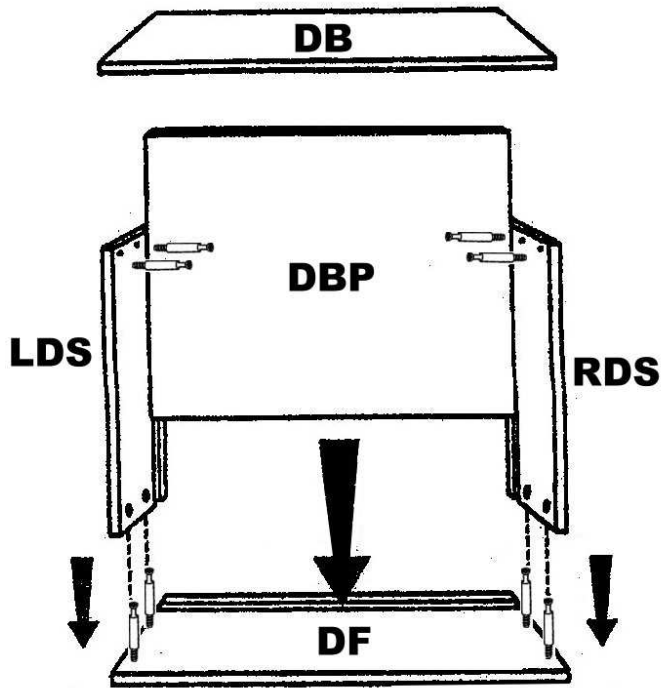


4

INSIDE SHOWN

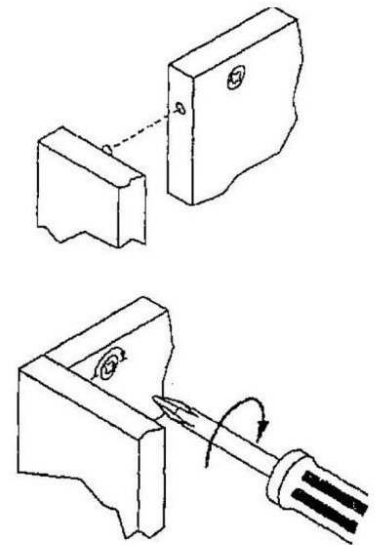
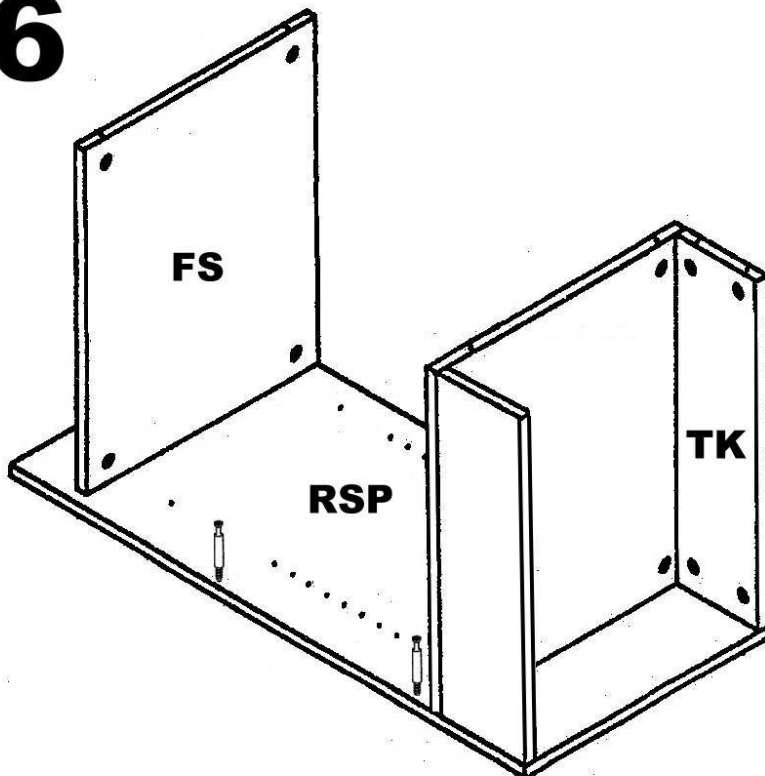


5



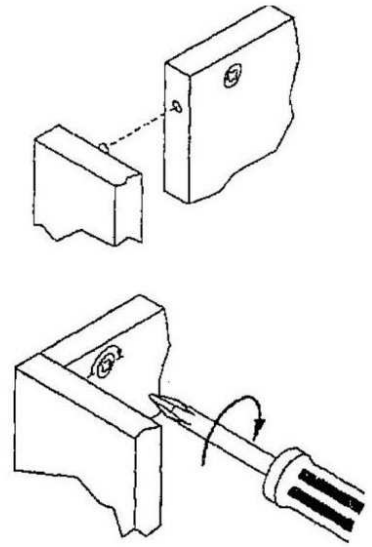
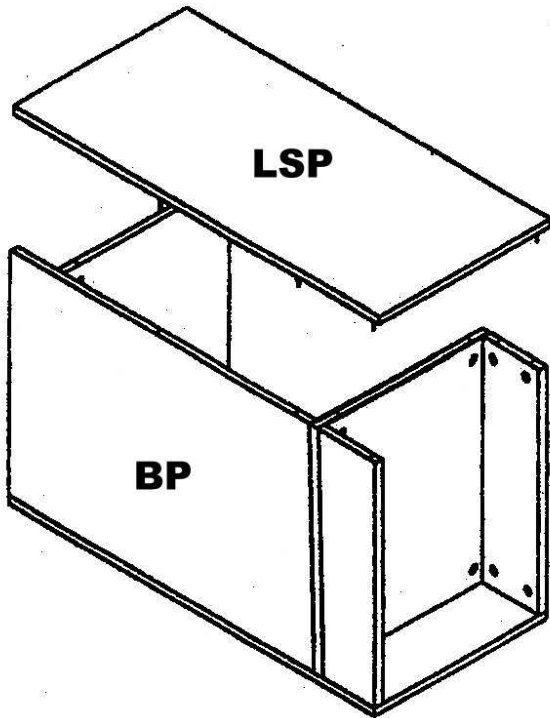
Fasten panels together and make sure all cams are locked.

6



Fasten panels together and make sure all cams are locked.

7



Fasten panels together and make sure all cams are locked.

8

