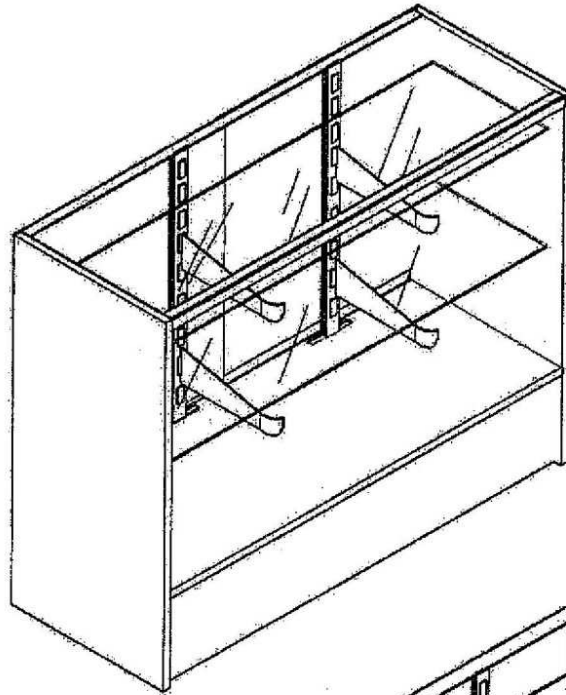
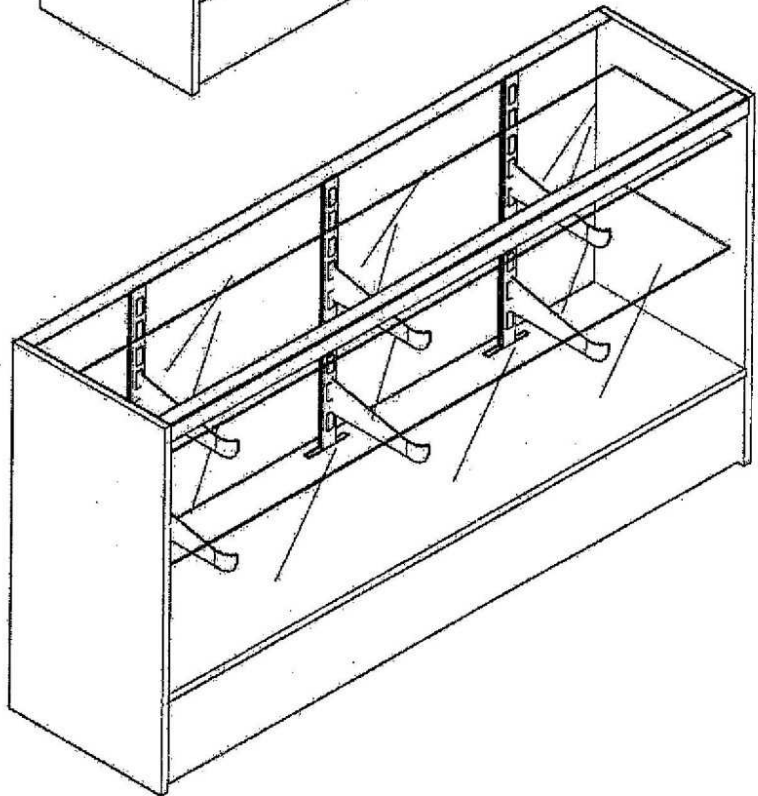


4-FOOT SHOWCASE



6-FOOT SHOWCASE

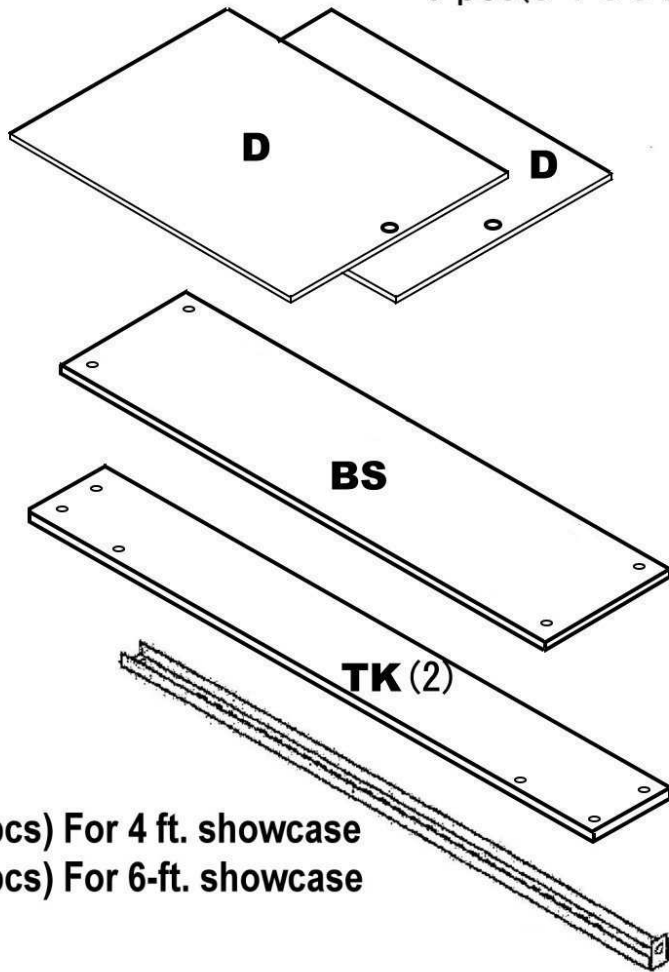
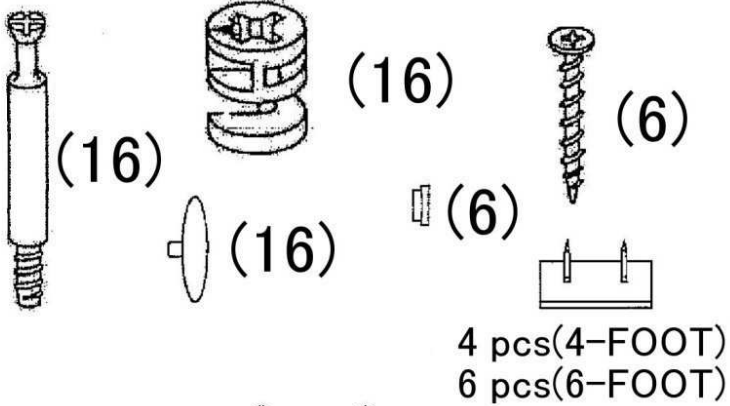


NOTE: It is recommended that two persons assemble this unit.

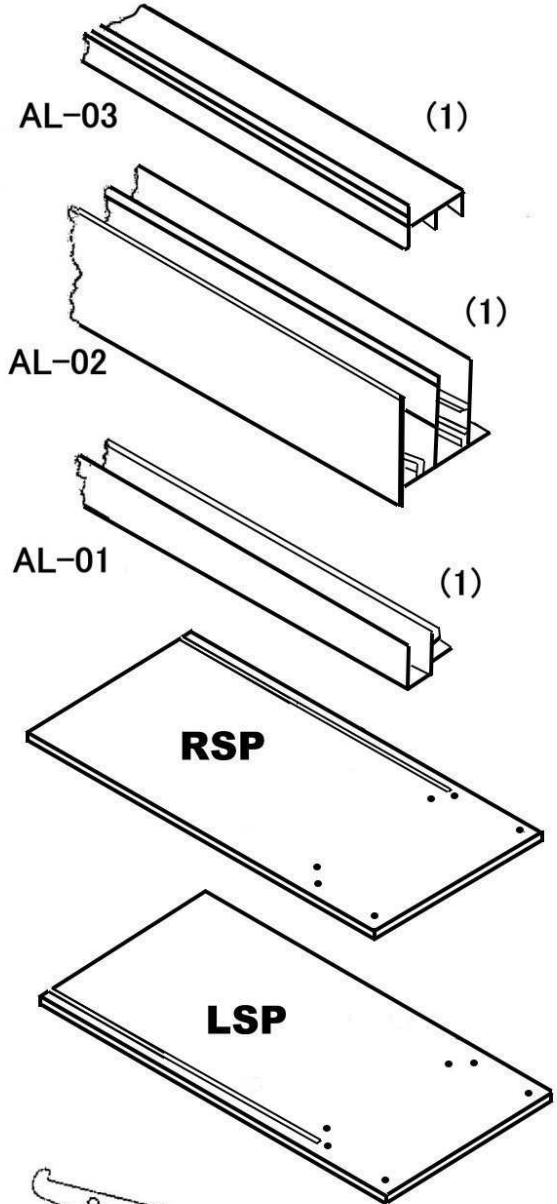
ASSEMBLY INSTRUCTIONS

PARTS LIST

FELTS, PLASTIC GASKET, ALUMINUM EXTRUSIONS, STANDARDS, BRACKETS AND SCREWS PACKED IN ONE CARTON

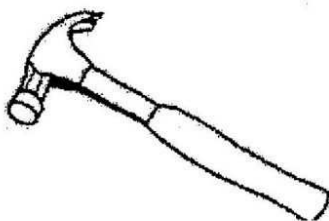


(2 pcs) For 4 ft. showcase
(3 pcs) For 6-ft. showcase

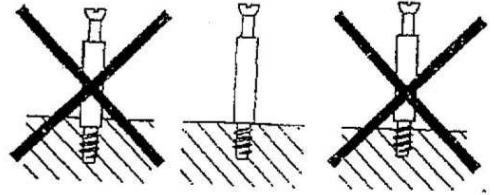
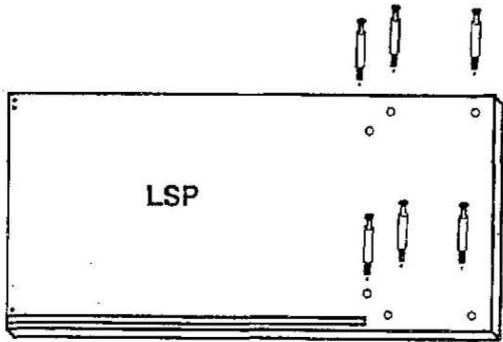
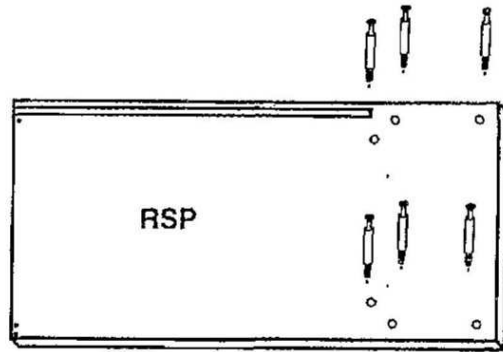


(4 pcs) brackets for 4-ft showcase
(6 pcs) brackets for 5-ft & 6-ft showcase

TOOLS REQUIRED

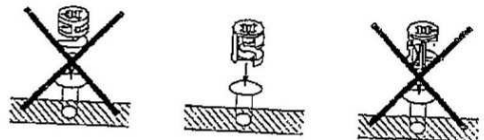
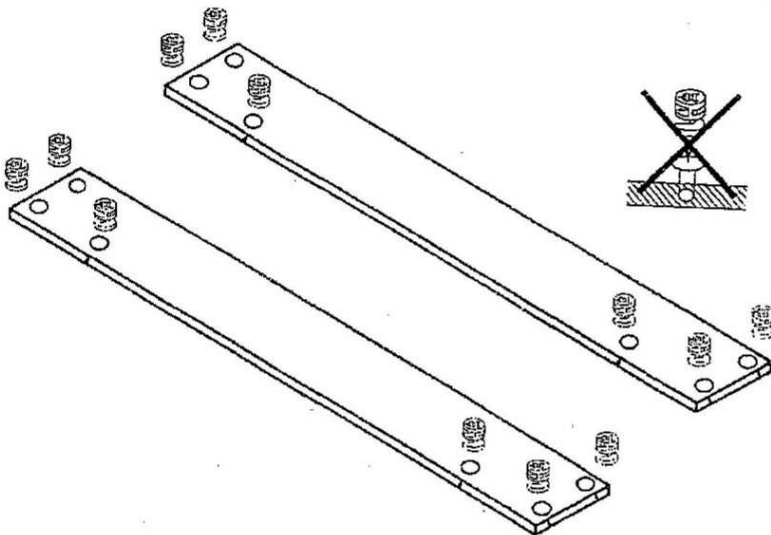


1

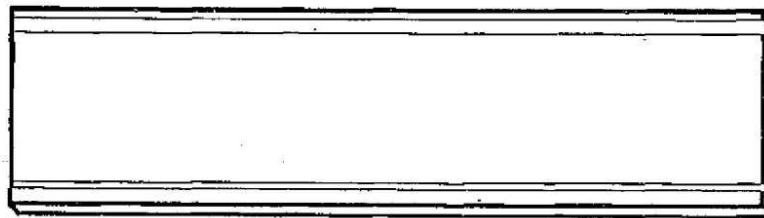
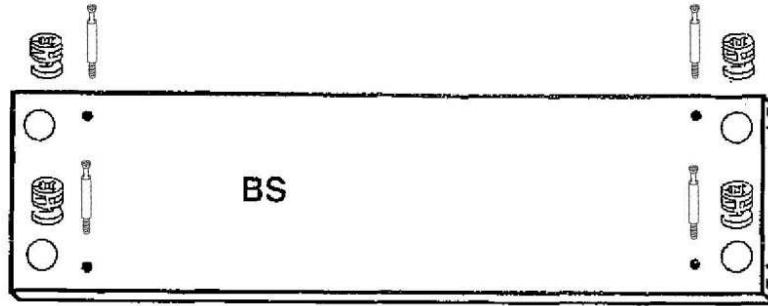


**Hand Tighten Only!
Do Not Overtighten!**

2



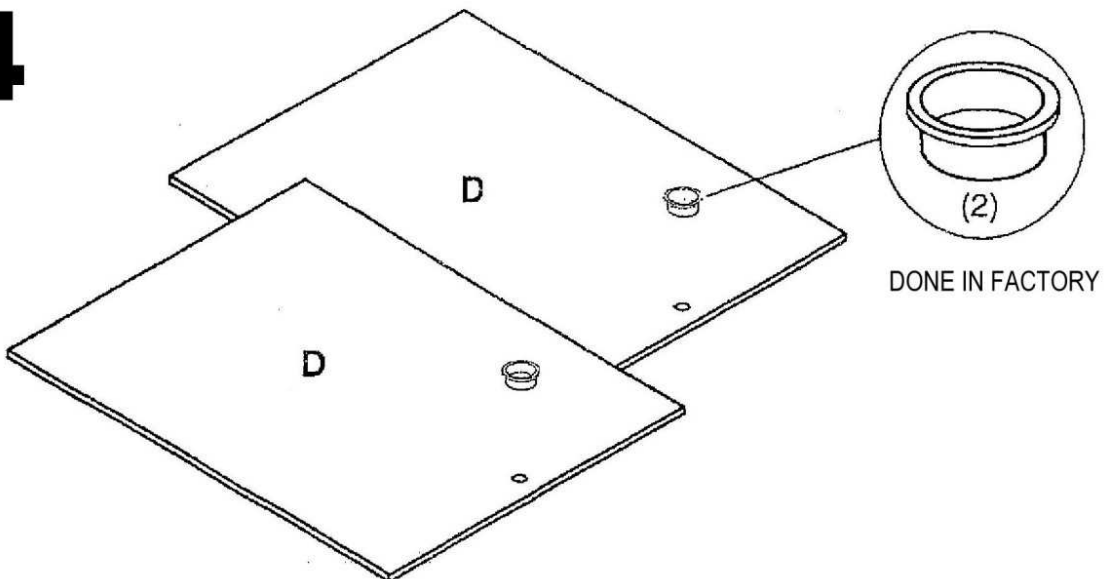
3



6mm groove

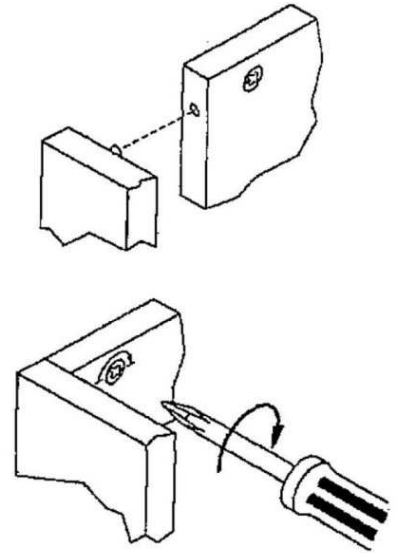
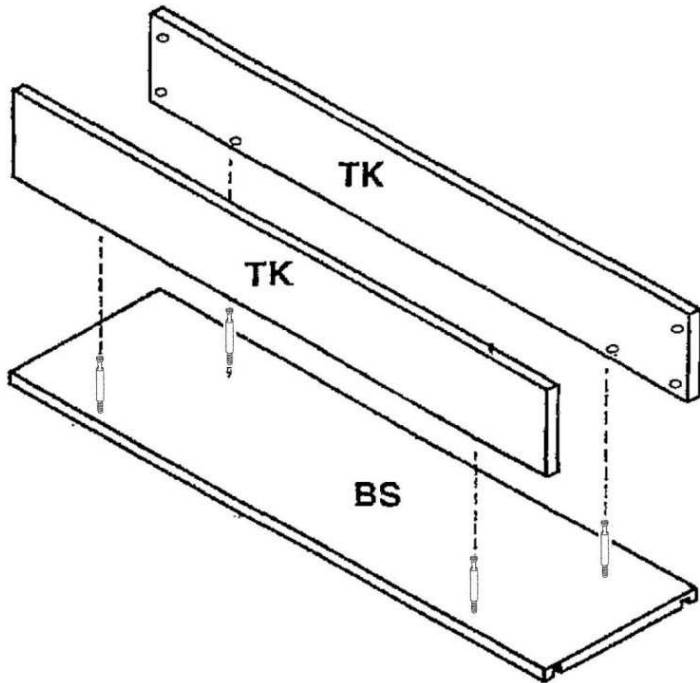
2mm groove

4



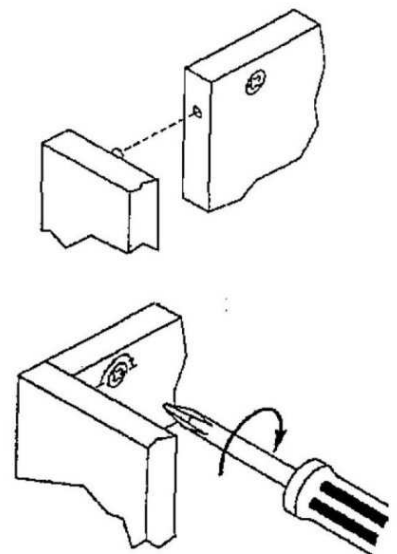
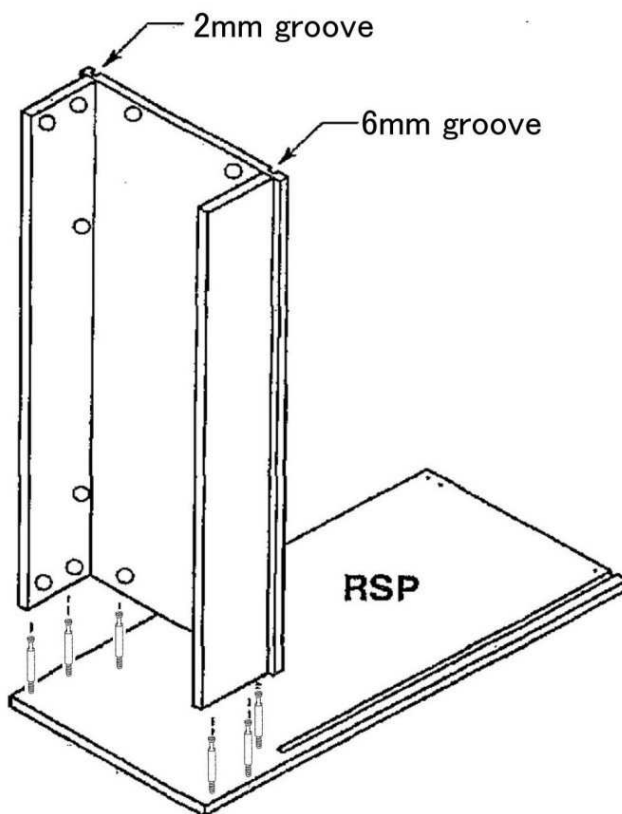
DONE IN FACTORY

5



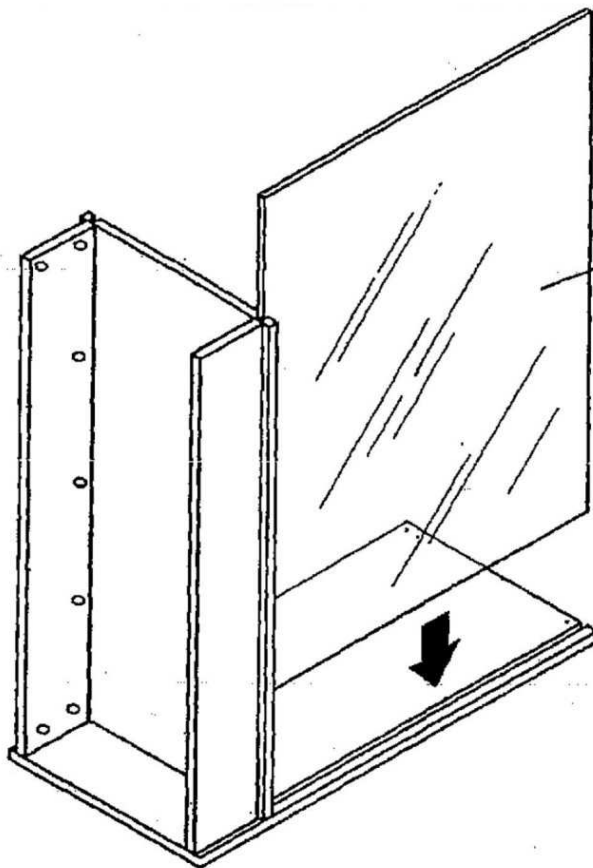
Fasten panels together and make sure all cams are locked.

6



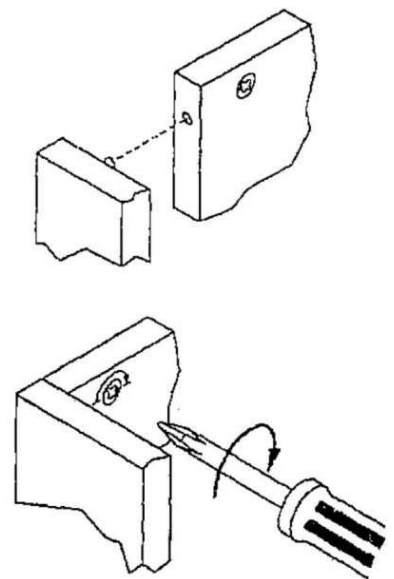
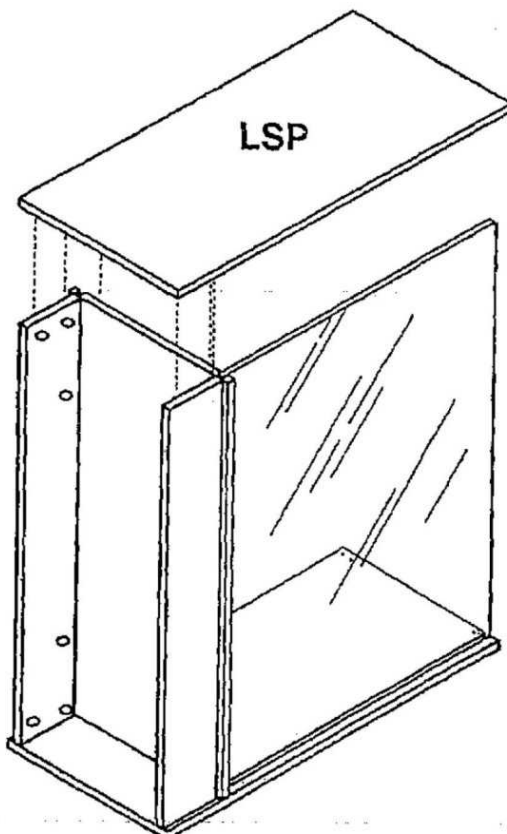
Fasten panels together and make sure all cams are locked.

7



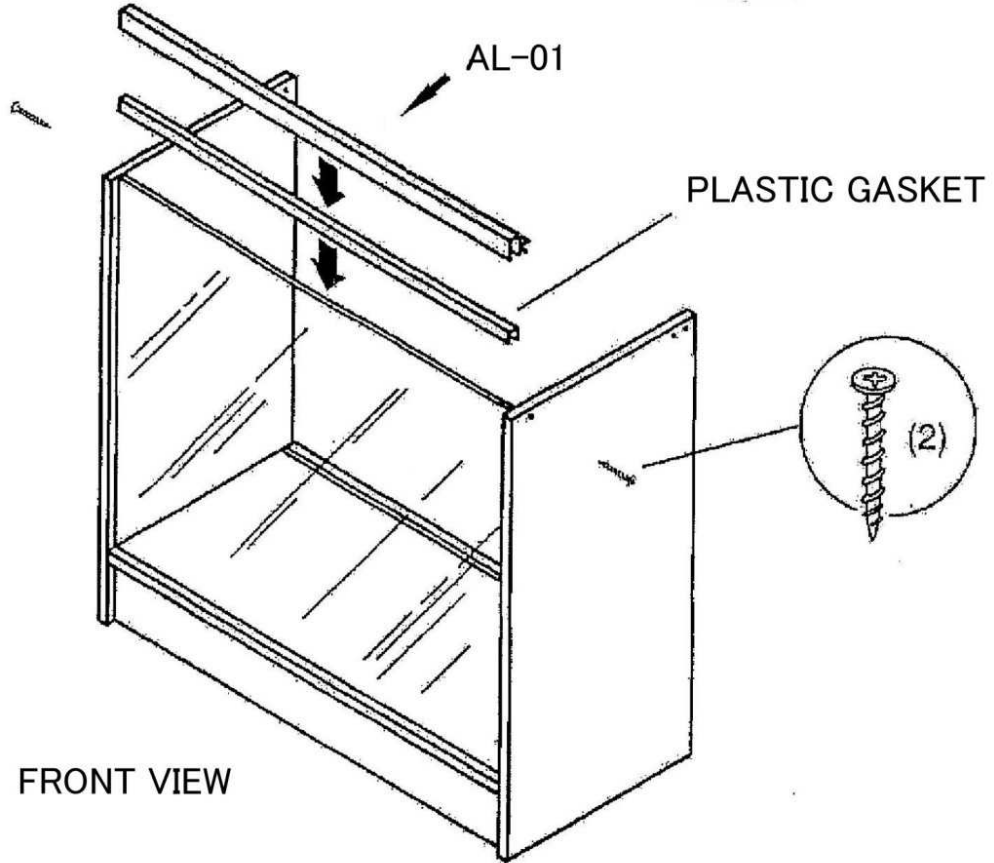
FRONT GLASS PANEL

8

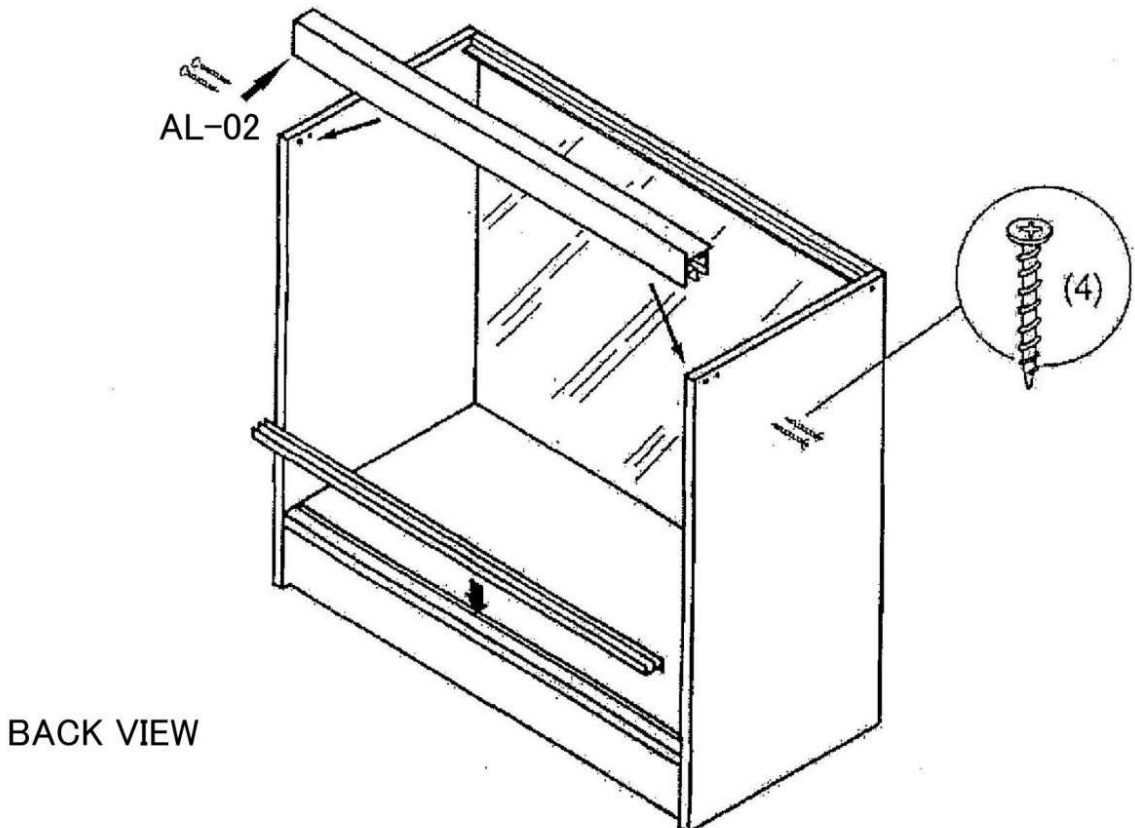


Fasten panels together and make sure all cams are locked.

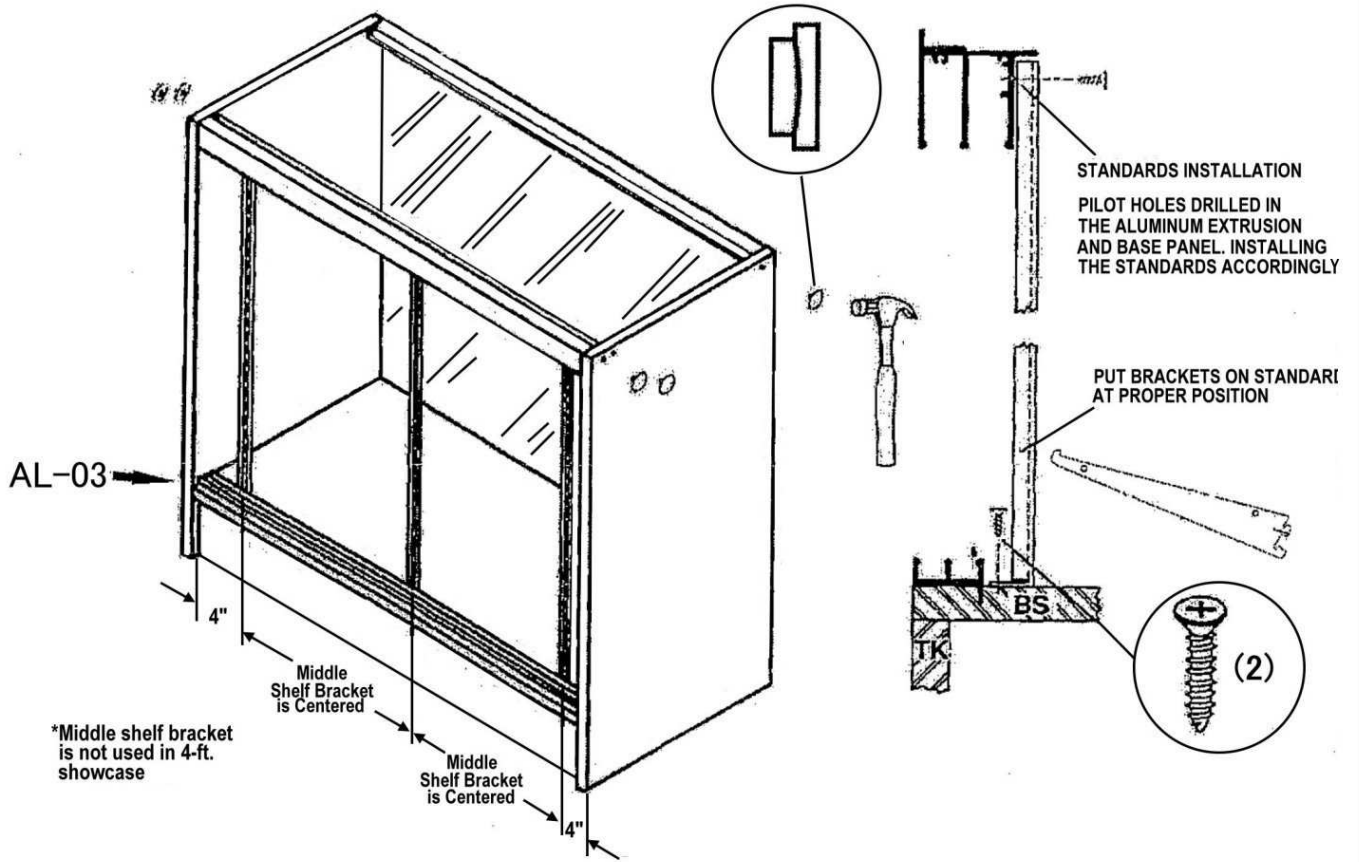
9



10



11



12

