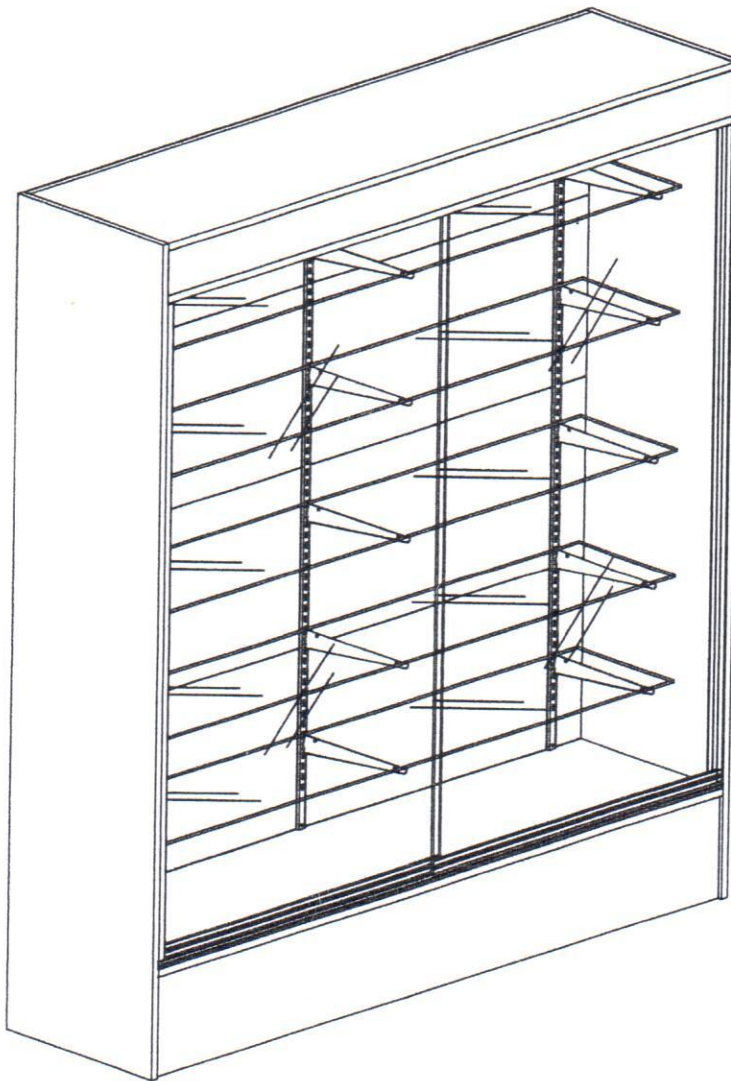
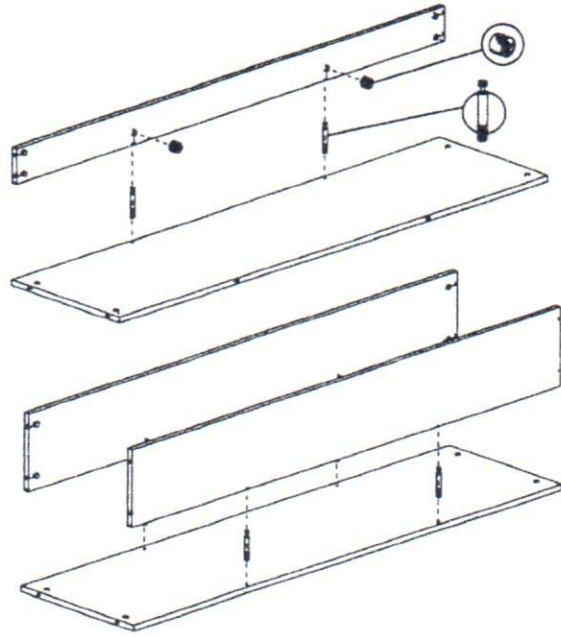


ASSEMBLY INSTRUCTION

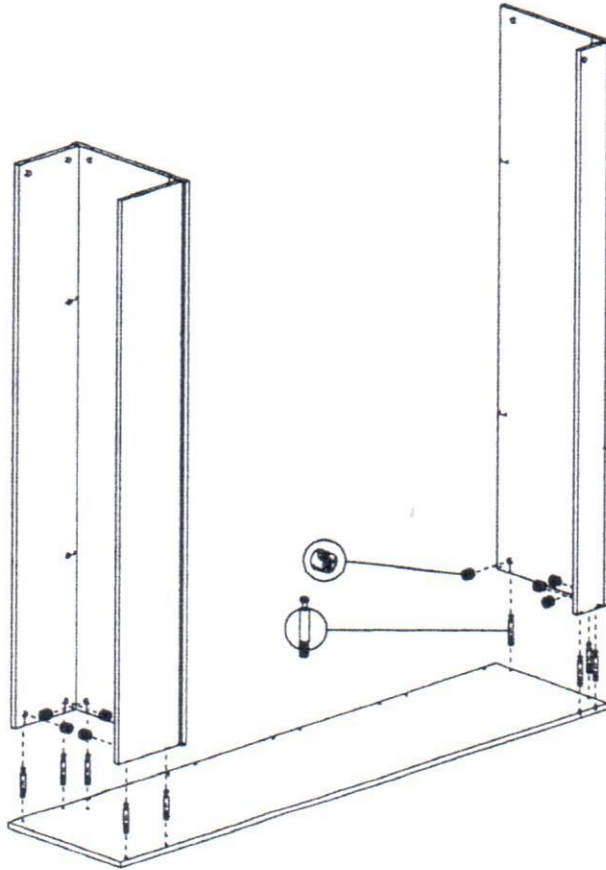
6' FULL VIEW WALL CASE



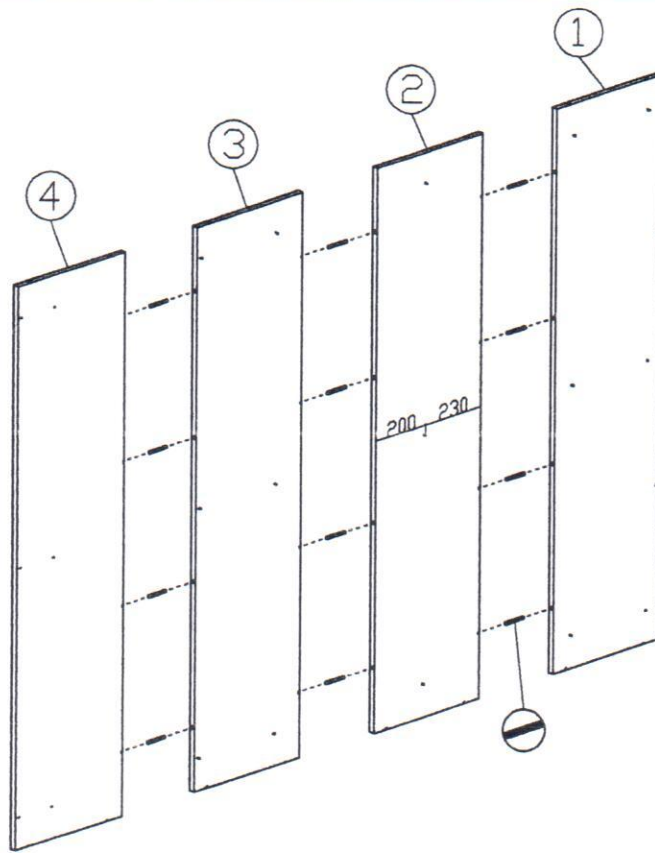
(1)



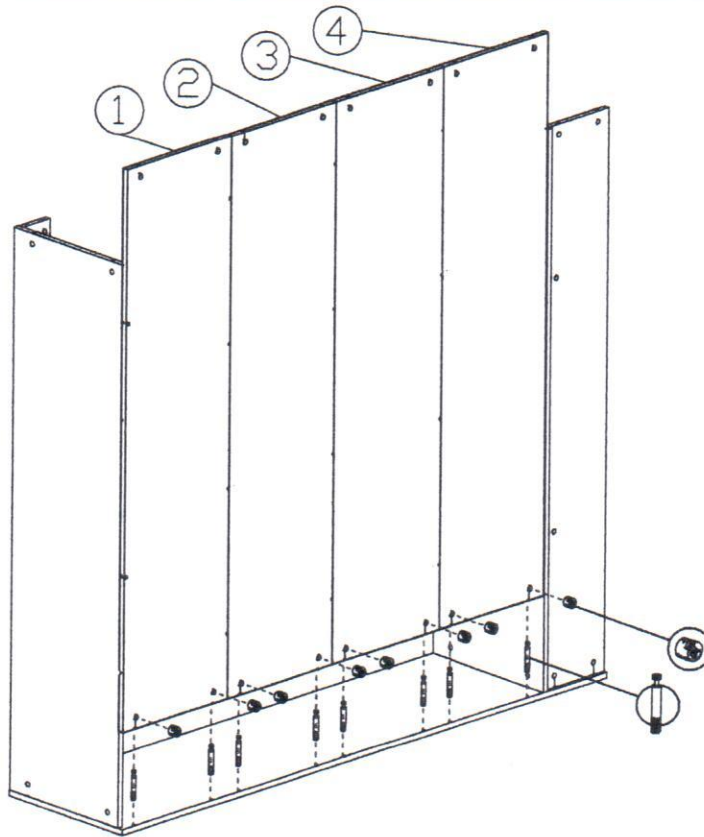
(2)



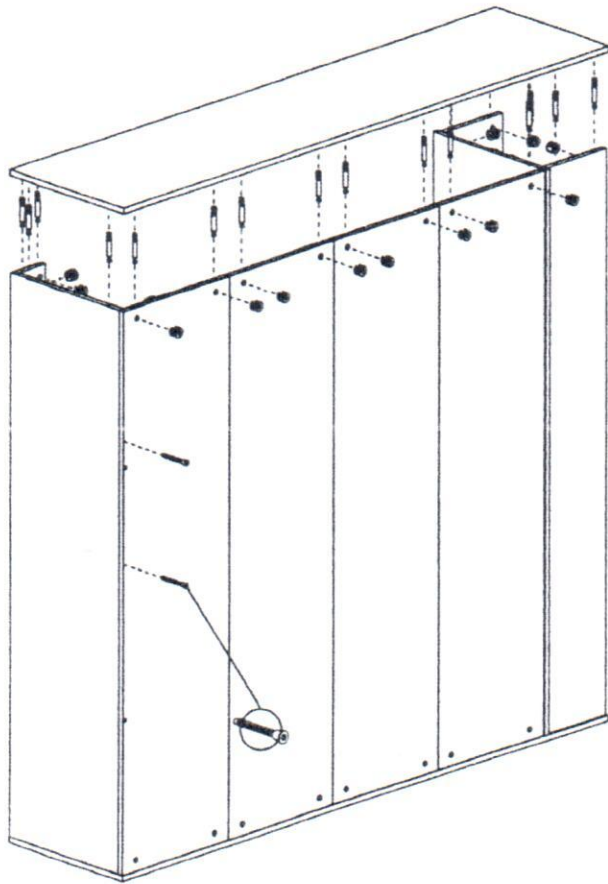
(3)



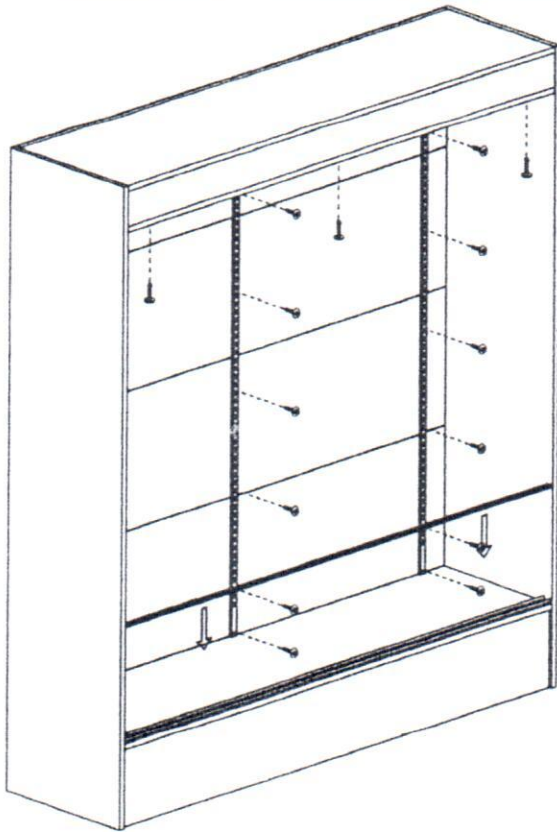
(4)



(5)



(6)



(7)

