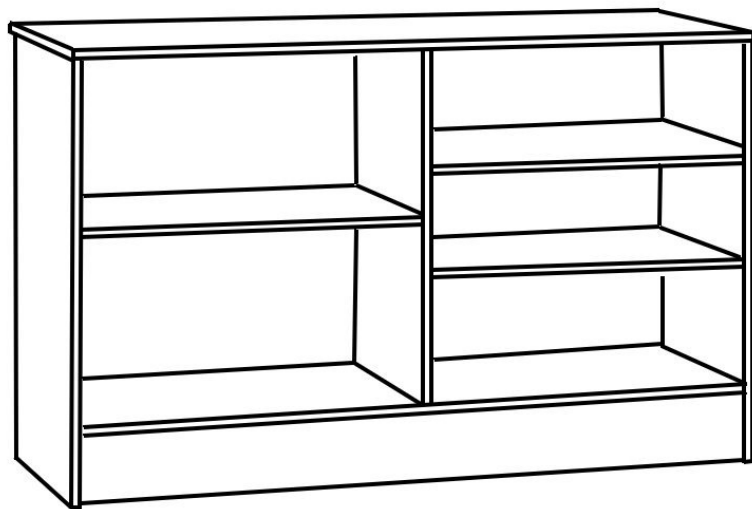
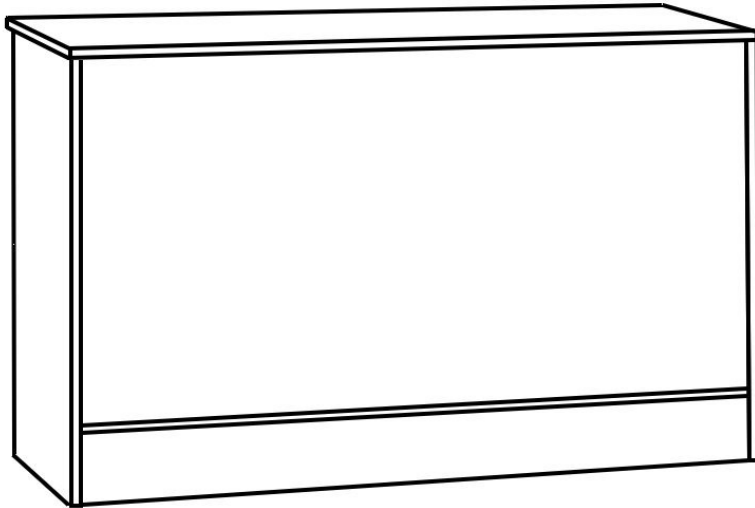


# WRAP COUNTER



NOTE: It is recommended that two persons assemble this unit.

# ASSEMBLY INSTRUCTIONS

# PARTS LIST



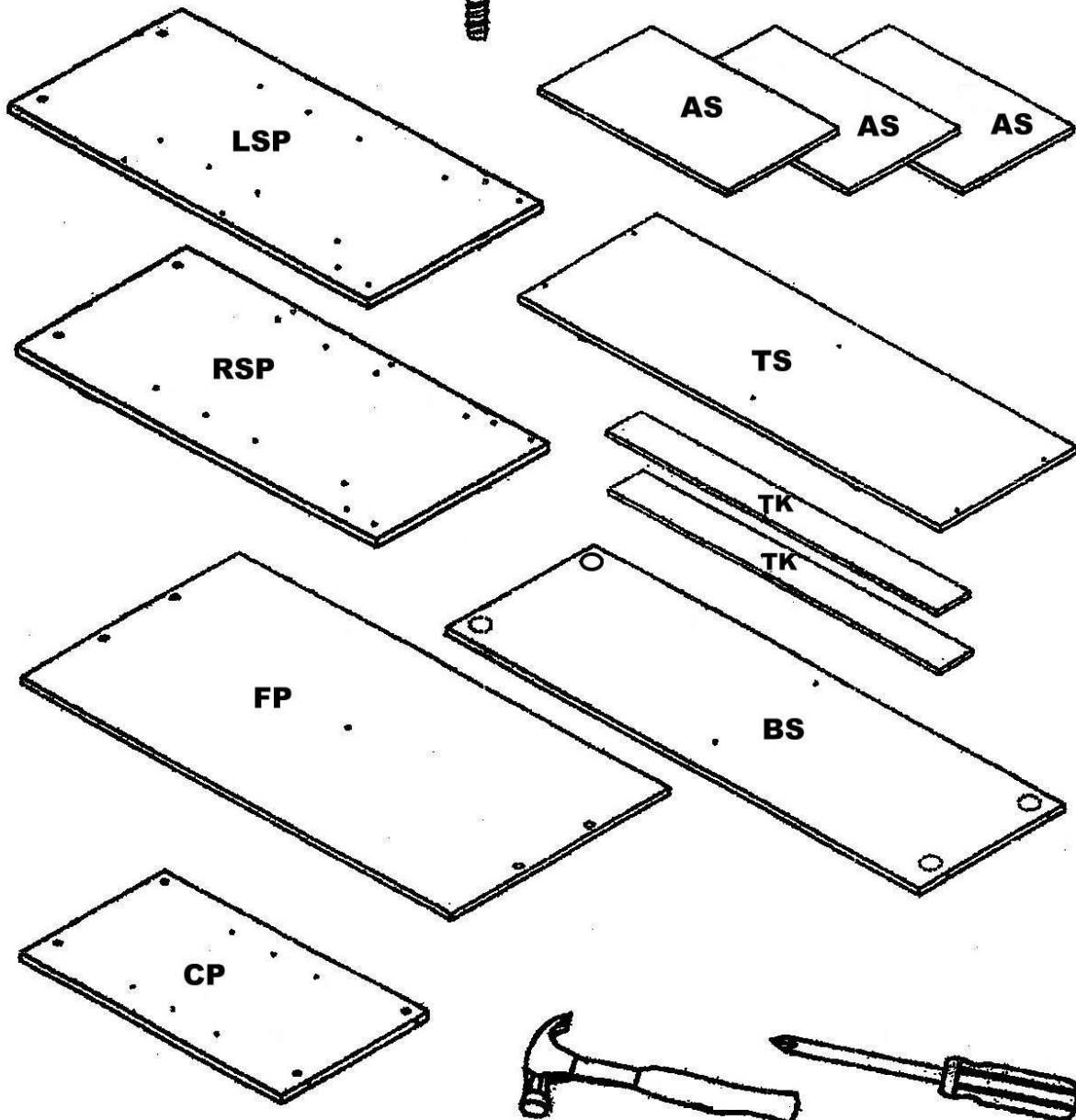
(23)



(23)

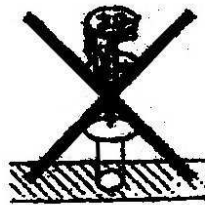
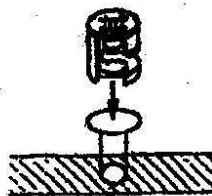
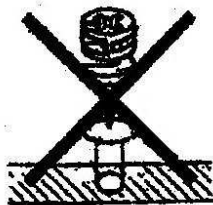
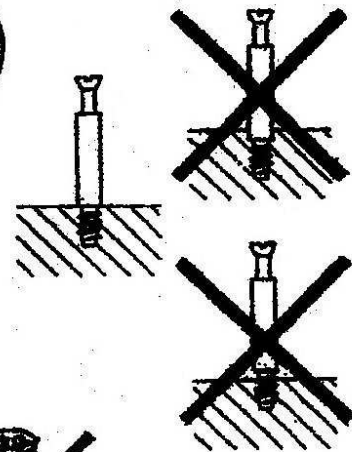
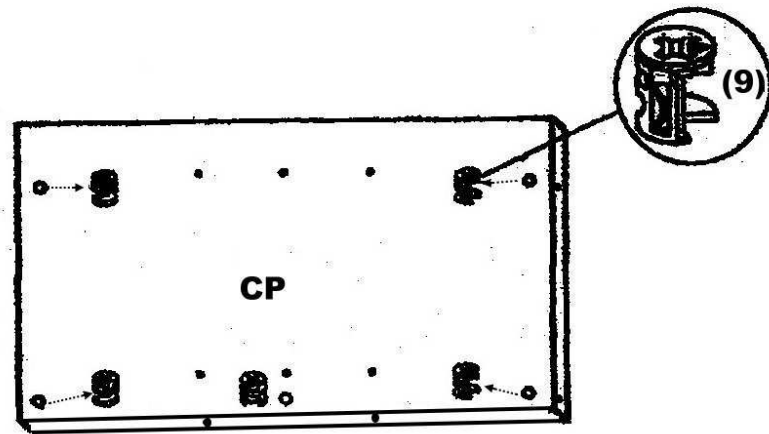
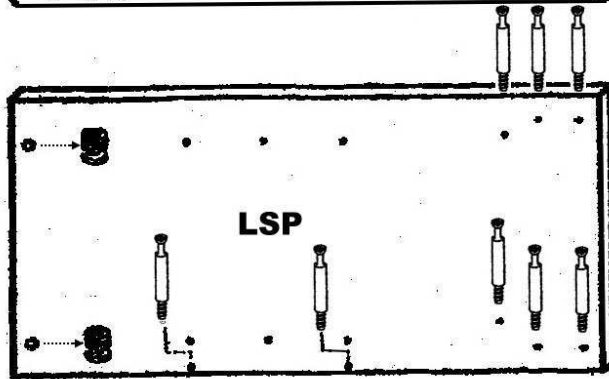
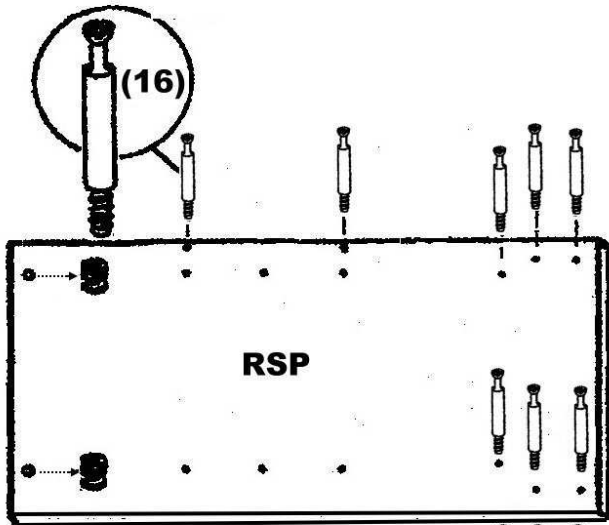


(12)

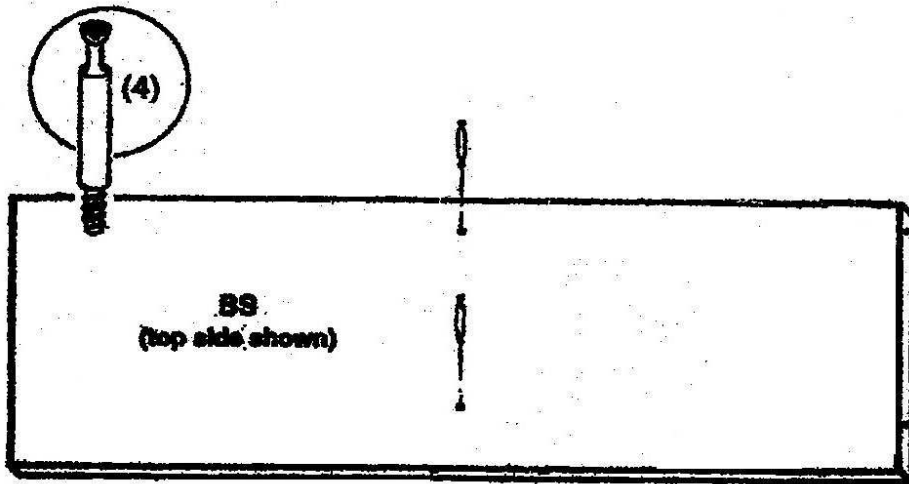
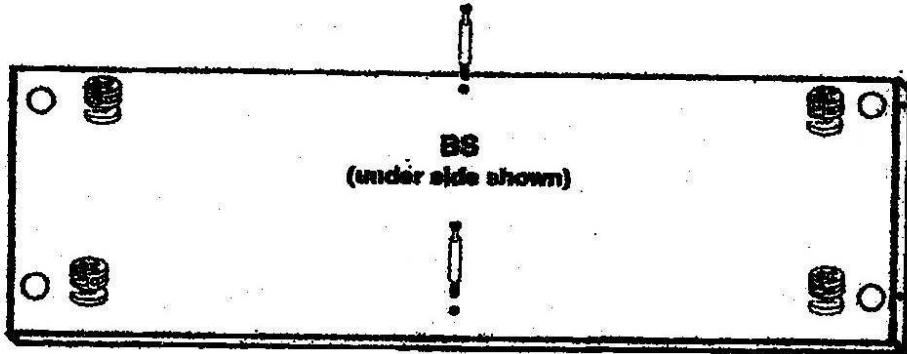


**Hand Tighten Only!**  
**Do Not Overtighten!**

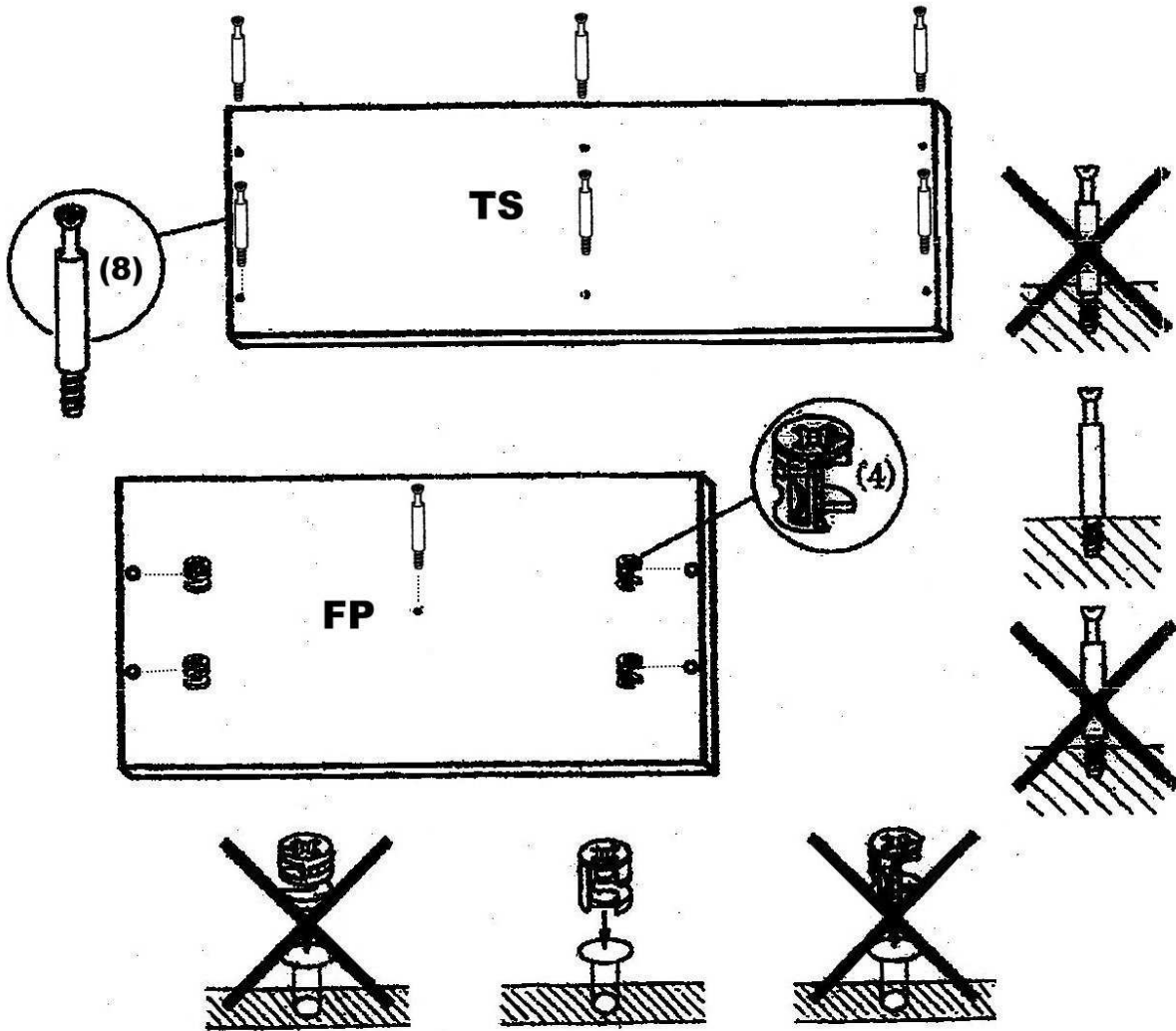
# 1



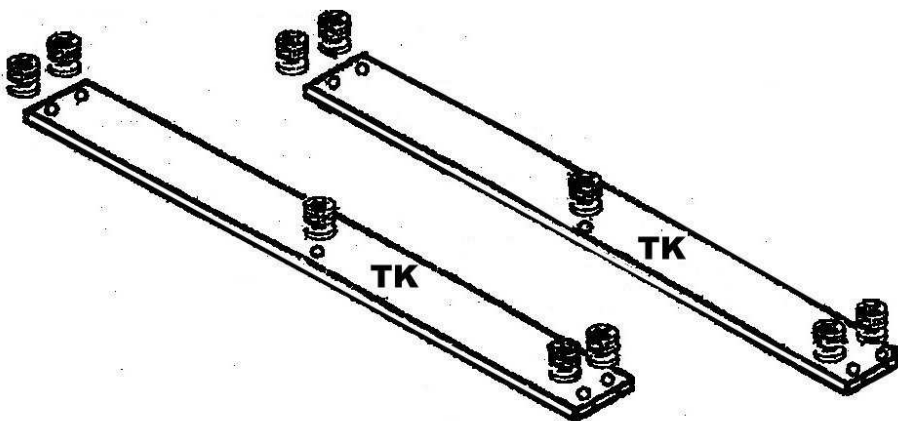
# 2



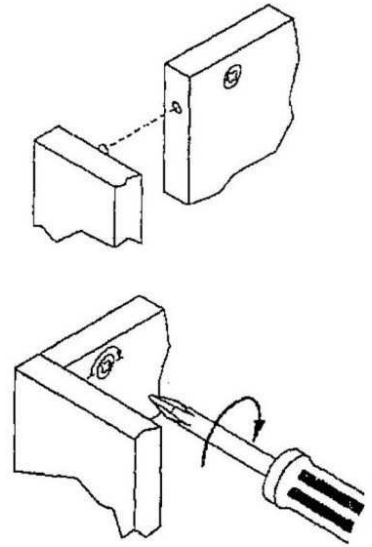
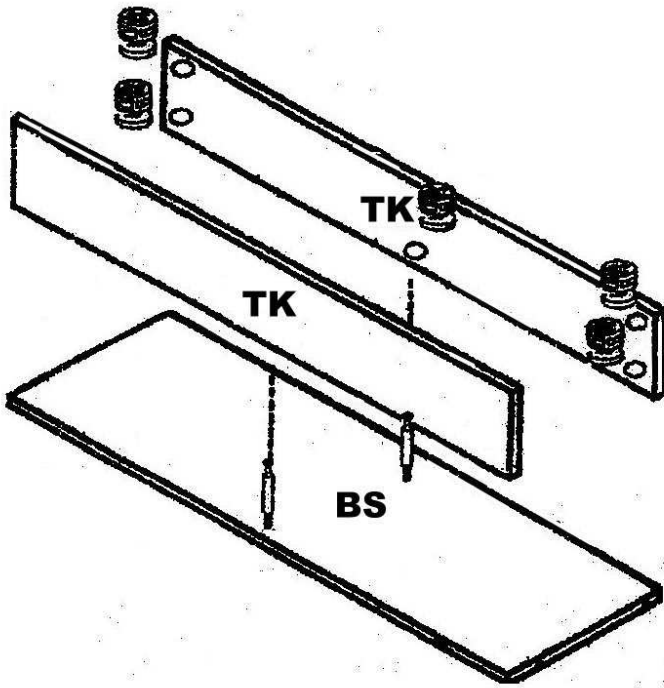
# 3



# 4

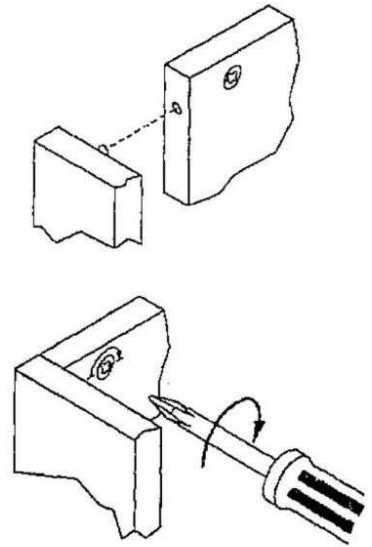
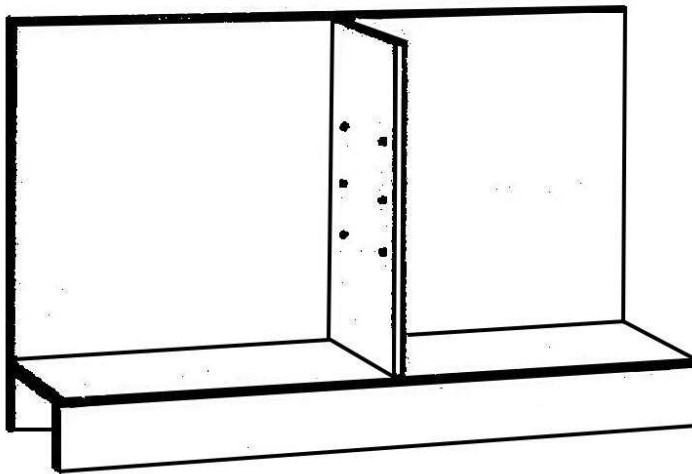


# 5



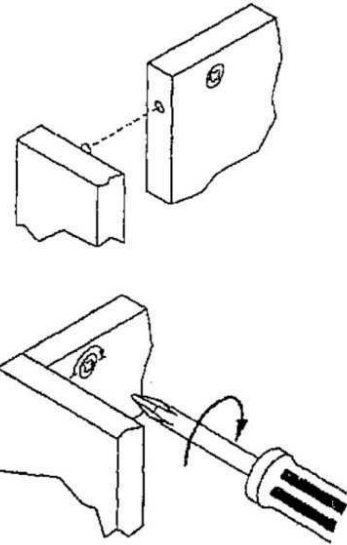
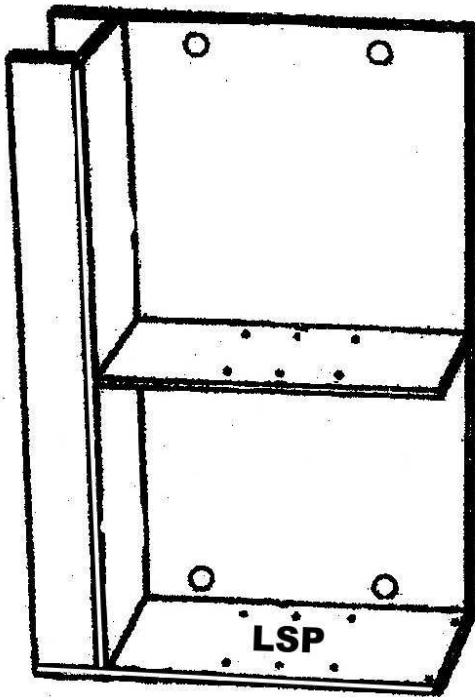
Fasten panels together and make sure all cams are locked.

# 6

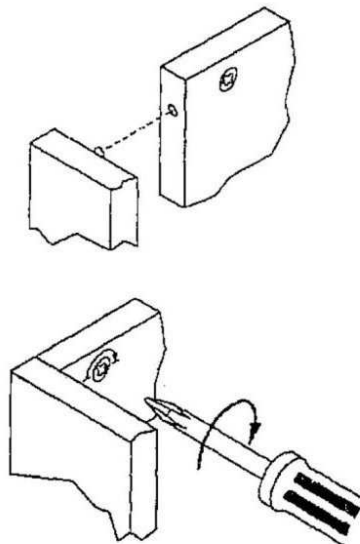


Fasten panels together and make sure all cams are locked.

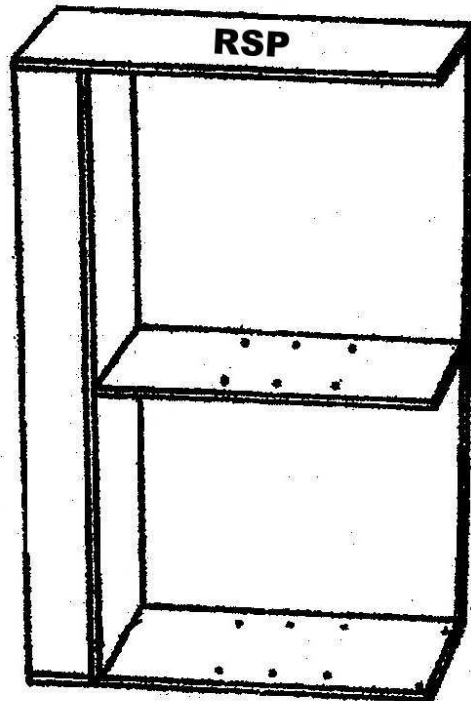
# 7



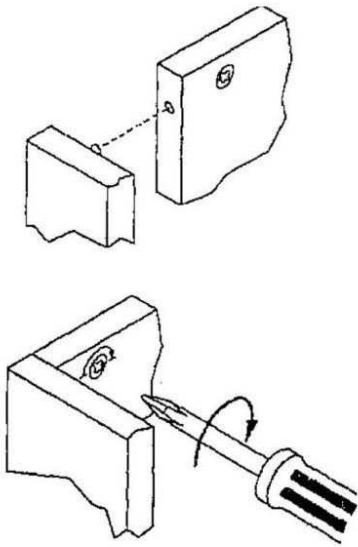
Fasten panels together and make sure all cams are locked.



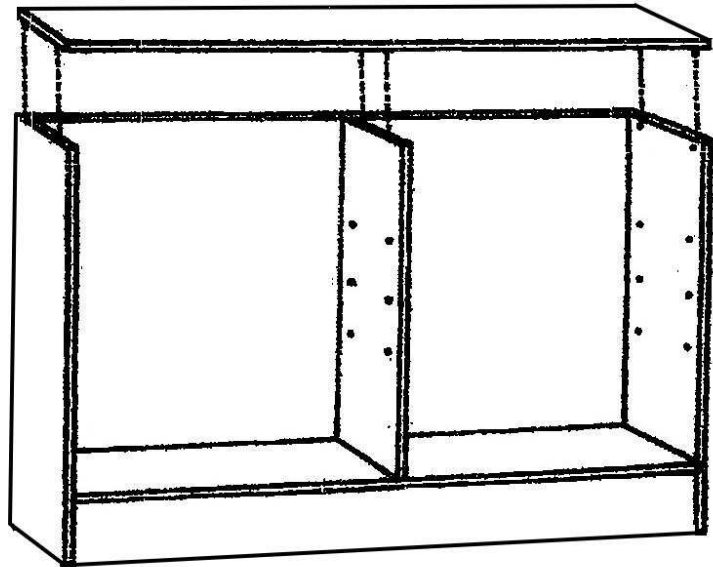
Fasten panels together and make sure all cams are locked.



# 8



Fasten panels together and make sure all cams are locked.



# 9

