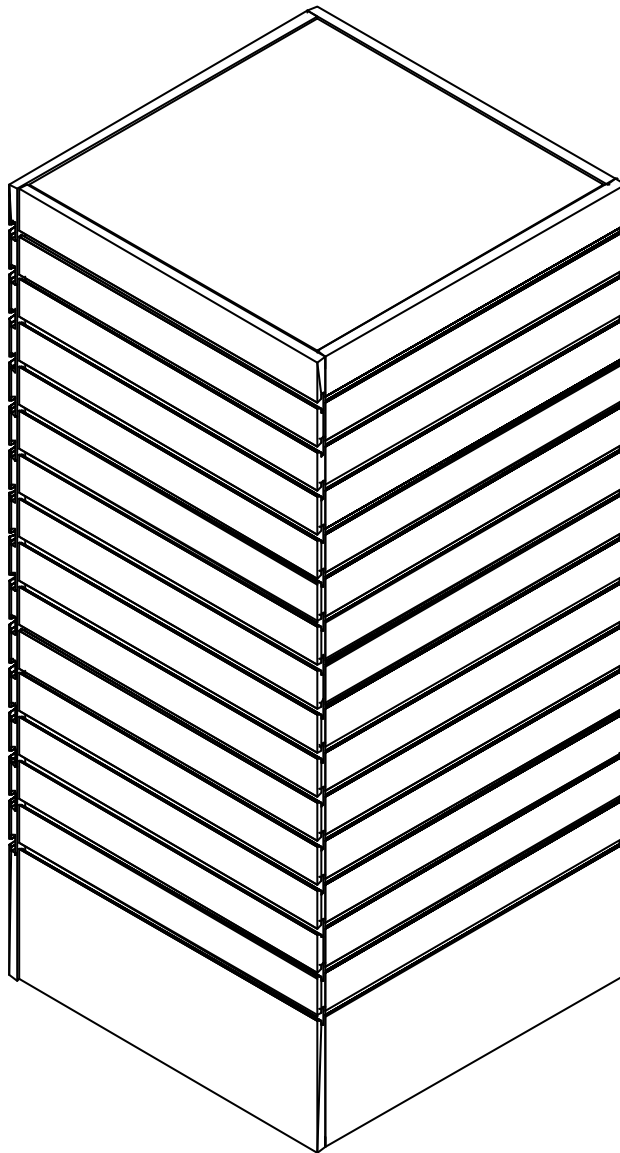
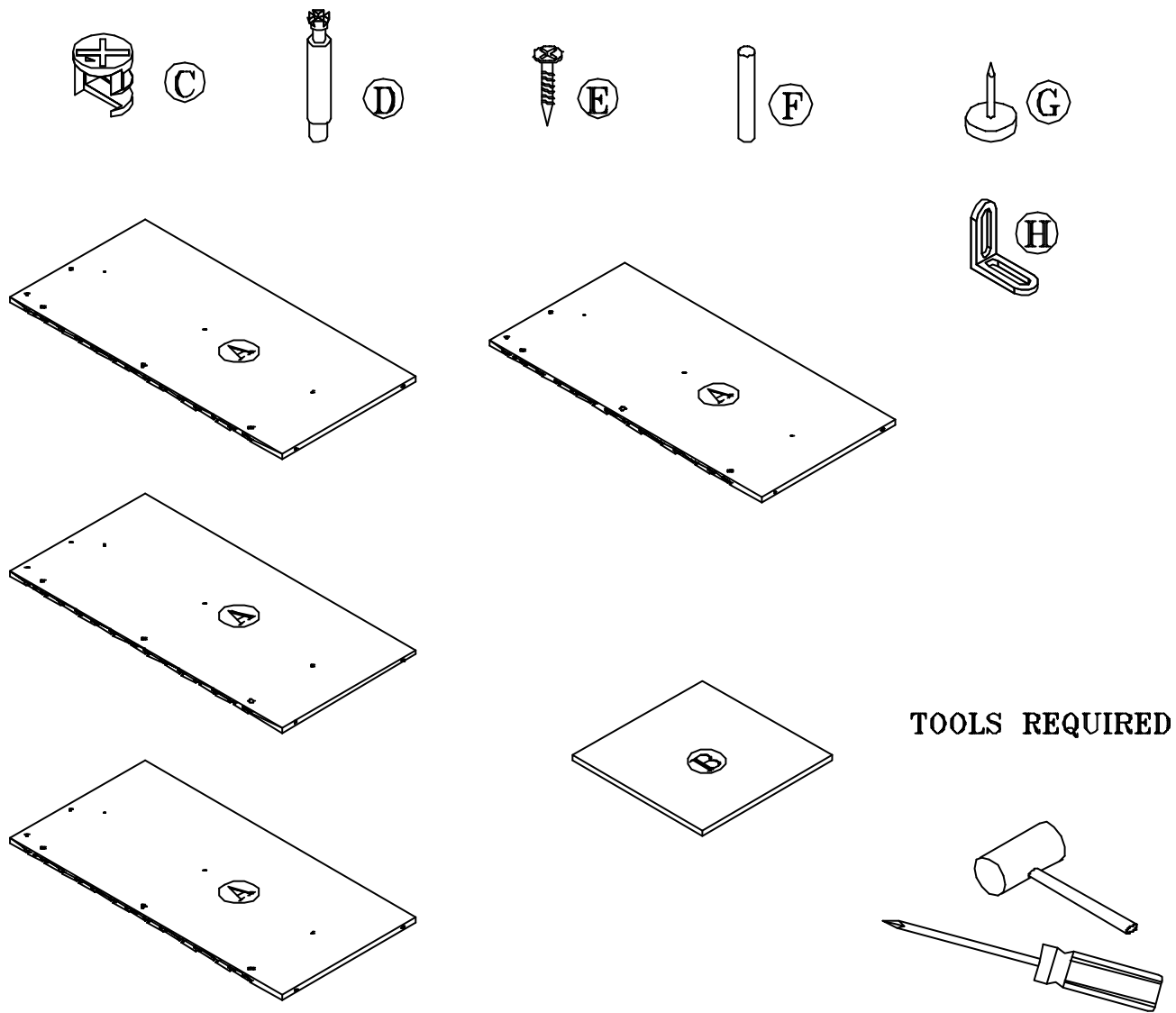


# ASSEMBLY INSTRUCTIONS

## SLATWALL TOWER UNIT



# ILLUSTRATED PARTS



## PARTS LISTS

LTR.	PART #	DESCRIPTION	QTY.	(*)
A		ENDS	4	
B		TOP	1	
C		TWIST CAM	12	
D		THREADED PIN	12	
E		#3.5*2/3 SCREWS	8	
F		NUMB TENON	8	
G		NYLON FEET	4	
H		CONNECT ANGLE IRON	4	
I				
J				

