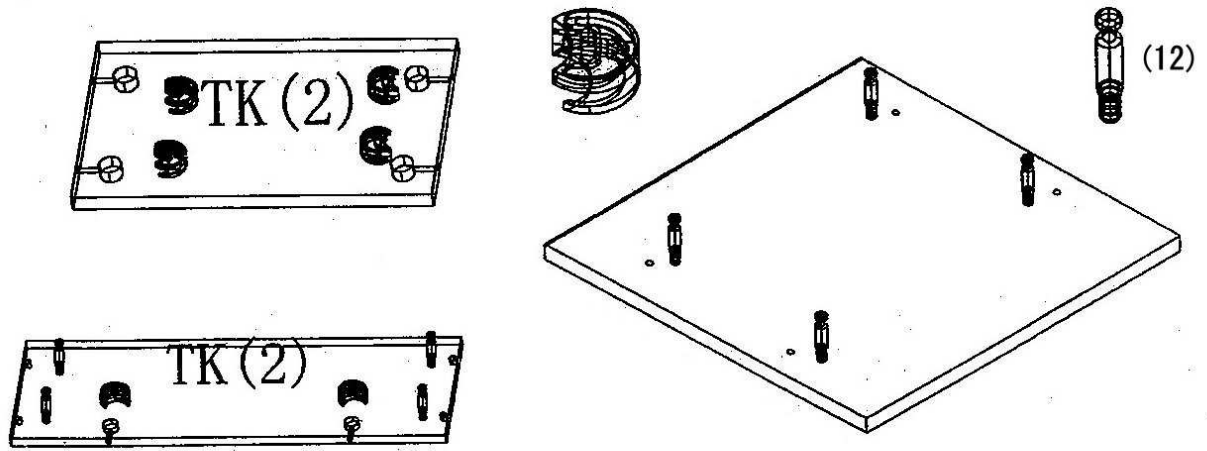


ASSEMBLY INSTRUCTIONS

PARTS LIST



TOOLS REQUIRED

