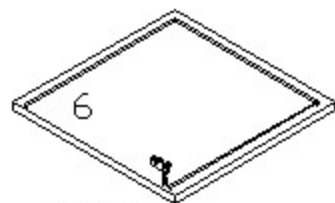
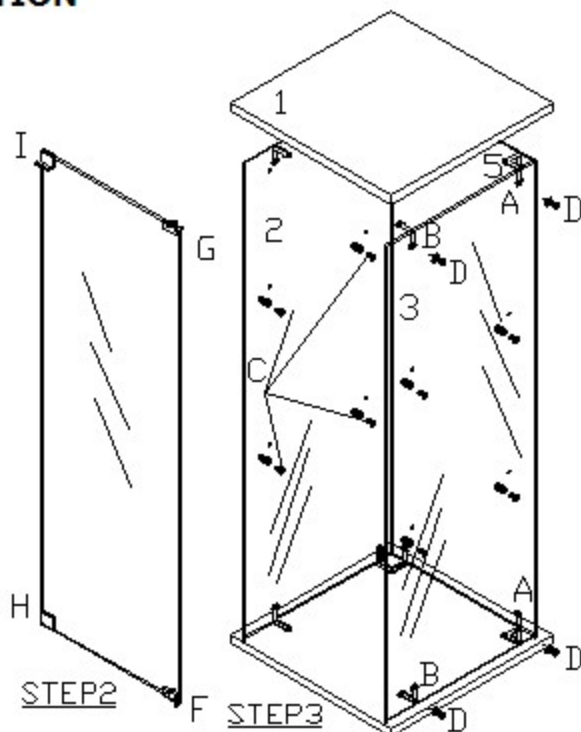


# ASSEMBLY INSTRUCTION

## FRAMELESS CASE

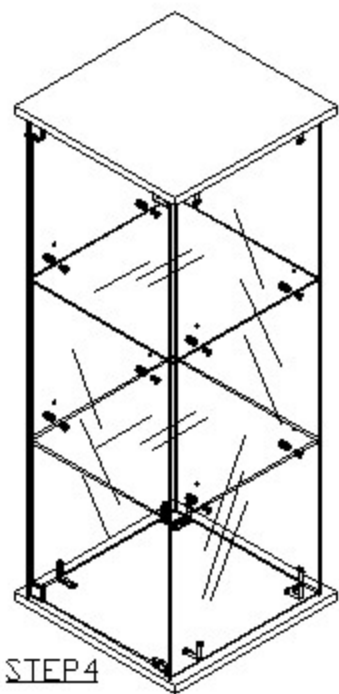


STEP1



STEP2

STEP3



STEP4

### PARTS LIST

NO	QTY	DESCRIPTION
1	1PC	wood top panel
2	1PC	SIDE BOARD
3	1PC	SIDE BOARD
4	2PCS	SHELF
5	1PC	BACK BOARD
6	1PC	wood bottom panel
7	1PC	
8	1PC	

A	B	C	D	E	F	G	H	I	J	K	L
4PCS	4PCS	8PCS	20PCS	2PCS	1PC	1PC	1PC	1PCS	1PC	1PC	
										TOOL	